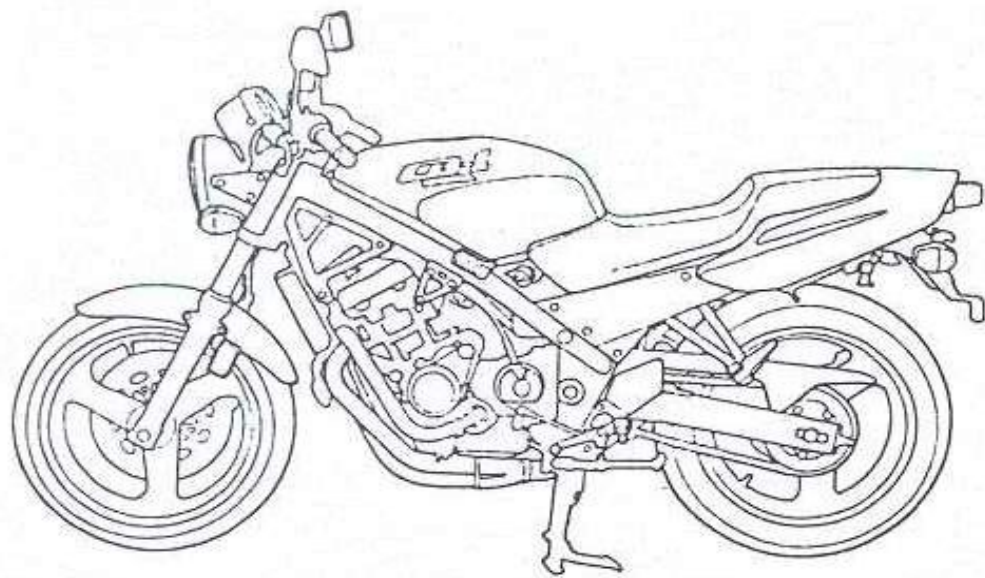
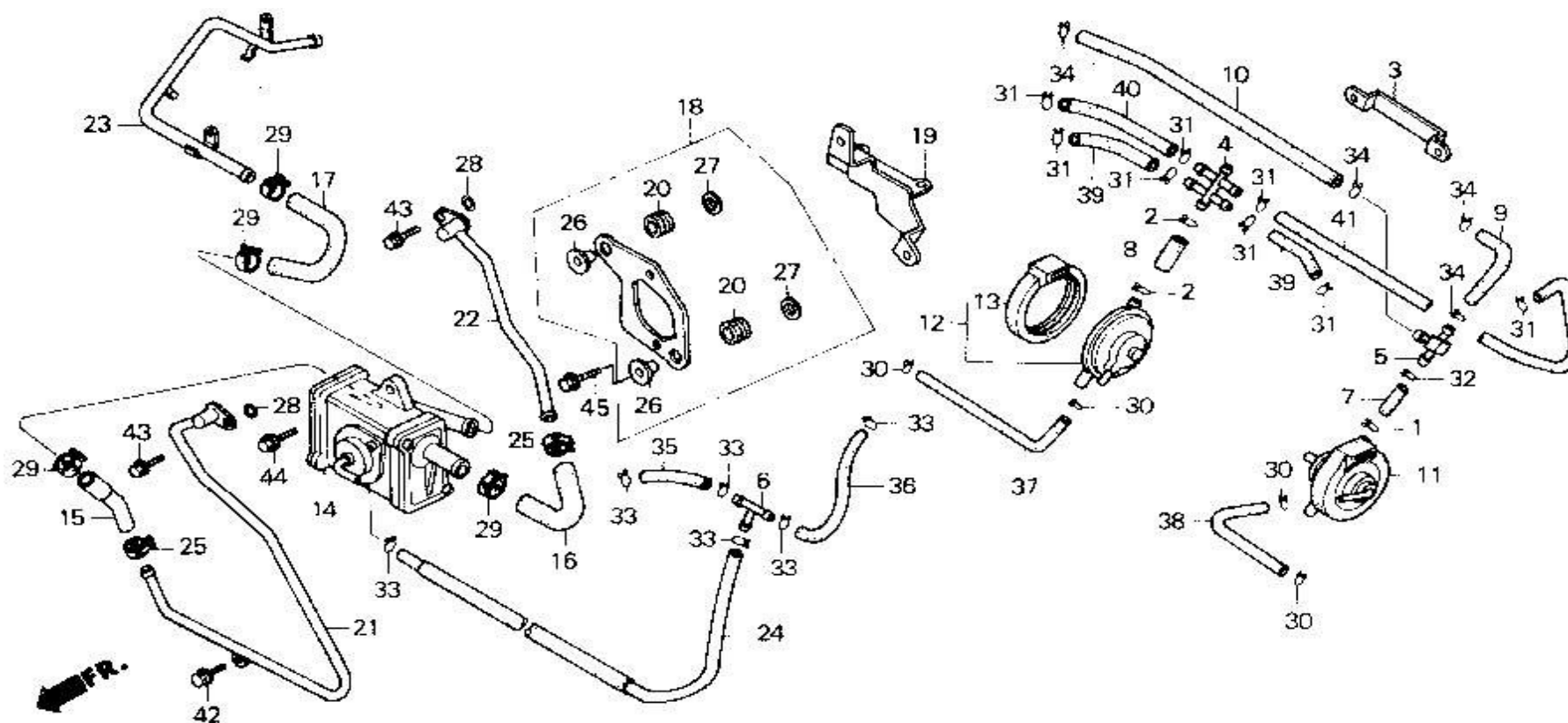


1989 HONDA CB400F (CB-1)

FICHE PARTS



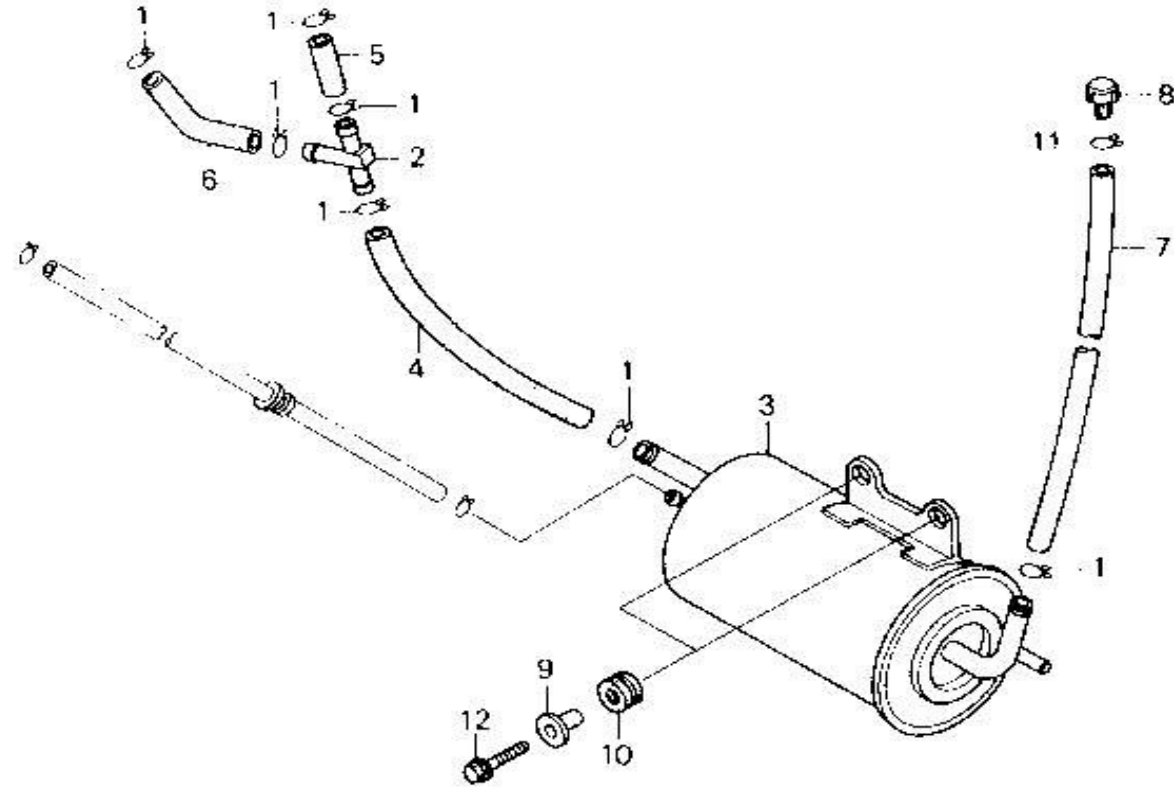
AC AIR SUCTION VALVE



REF#	PART	#REQ	REF#	PART	#REQ
1	CLIP, TUBE 15772-MB3-000	1	24	TUBE 18650-KAF-750	1
2	CLIP, BREATHER TUBE 15772-292-010	2	25	CLAMP 43514-445-771	2
3	PLATE, SETTING 16185-KAF-750	1	26	COLLAR 61104-943-000	2
4	T-JOINT 17194-KAF-750	1	27	WASHER, PLAIN (9MM) 90503-SAO-000	2

5	T-JOINT 17195-MN5-000	1	28	O-RING (9.8X1.9) 91301-PM5-A01	2
6	JOINT, VACUUM TUBE 17201-MG9-000	1	28	O-RING (9.8X1.9) 91301-PM5-A01 (replaces 91305-PE2-003)	2
7	TUBE 17281-KAF-750	1	29	CLAMP, TUBE (D17) 91405-MF5-860	4
8	TUBE 17282-KAF-750	1	30	CLIP, TUBE (B7) 95002-02070	4
9	TUBE 17283-KAF-750	1	31	CLIP, TUBE (B8) 95002-02080	8
10	TUBE 17284-KAF-750	1	32	CLIP, TUBE (B12.5) 95002-02130	1
11	VALVE ASSY. 17300-KAF-751	1	33	CLIP, TUBE (B6.5) 95002-02650	6
12	VALVE, PURGE CONTROL 17440-KAF-750	1	34	CLIP, TUBE (C11) 95002-70000	4
13	RUBBER 17451-ME5-760	1	35	BULK HOSE (3.5X8000) 95005-35008-10M	1
14	VALVE, AIR SUCTION 18600-KAF-751	1	36	BULK HOSE (3.5X8000) 95005-35008-10M	1
15	TUBE, AIR PIPE (2) 18613-KAF-750	1	37	BULK HOSE (3.5X8000) 95005-35008-10M	1
16	TUBE, AIR PIPE (3) 18614-KAF-750	1	38	BULK HOSE (3.5X8000) 95005-35008-10M	1
17	TUBE, AIR PIPE 18617-KAF-750	1	39	BULK HOSE (4.5X1000) 95005-45001-10M	2
18	BRACKET 18625-KAF-750	1	40	BULK HOSE (4.5X1000) 95005-45001-10M	1
19	BRACKET (LOWER) 18626-KAF-750	1	41	BULK HOSE (4.5X1000) 95005-45001-10M	1
20	RUBBER 18628-MF5-860	2	42	BOLT, FLANGE (6X8) 95701-06008-07	1
21	PIPE, AIR (2) 18641-KAF-750	1	43	BOLT, FLANGE (6X16) 95701-06016-02	2
22	PIPE 3, AIR 18643-KAF-750	1	44	BOLT, FLANGE (6X18) 96001-06018-00	2
23	PIPE, AIR 18649-KAF-750	1	45	BOLT, FLANGE (6X22) 96001-06022-00	2

AC CANISTER

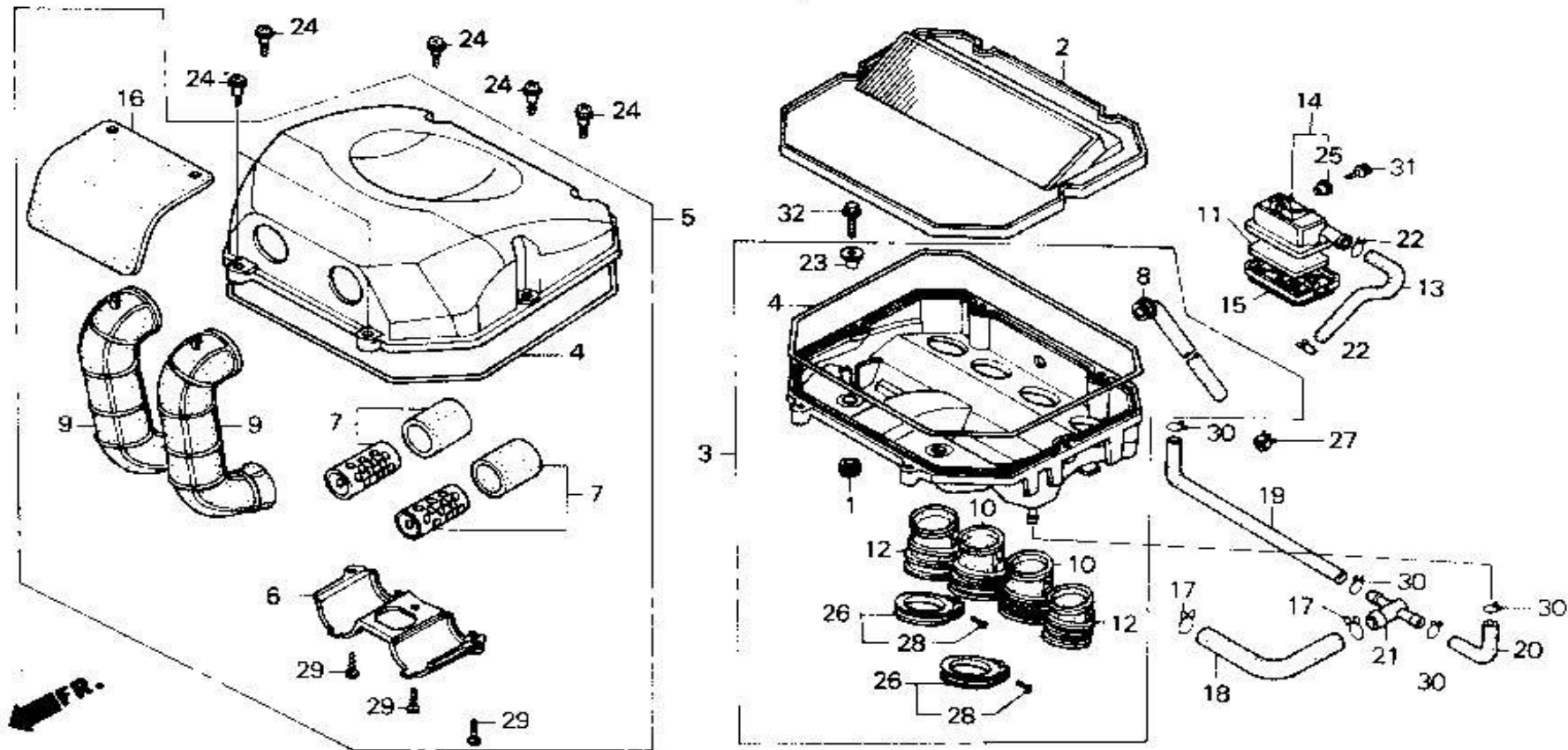


←FR.

AC CANISTER

REF#	PART	#REQ	REF#	PART	#REQ
1	CLIP, BREATHER TUBE 15772-500-010	7	7	TUBE, CANISTER AIR 17414-KAF-750	1
1	CLIP, BREATHER TUBE 15772-500-010 (replaces 15772-500-013)	7	8	PLUG 17467-ME9-750	1
2	JOINT, THREE-WAY 17303-MJ1-790	1	9	COLLAR, SETTING 61104-422-000	2
3	CANISTER 17410-KAF-750	1	10	RUBBER 61304-415-000	2
4	TUBE, CANISTER JOINT 17411-KAF-750	1	11	CLIP, TUBE (B12) 95002-02120	1
5	TUBE 17412-KAF-750	1	12	BOLT, FLANGE (6X22) 95701-06022-07	2
6	TUBE 17413-KAF-750	1			

AIR CLEANER



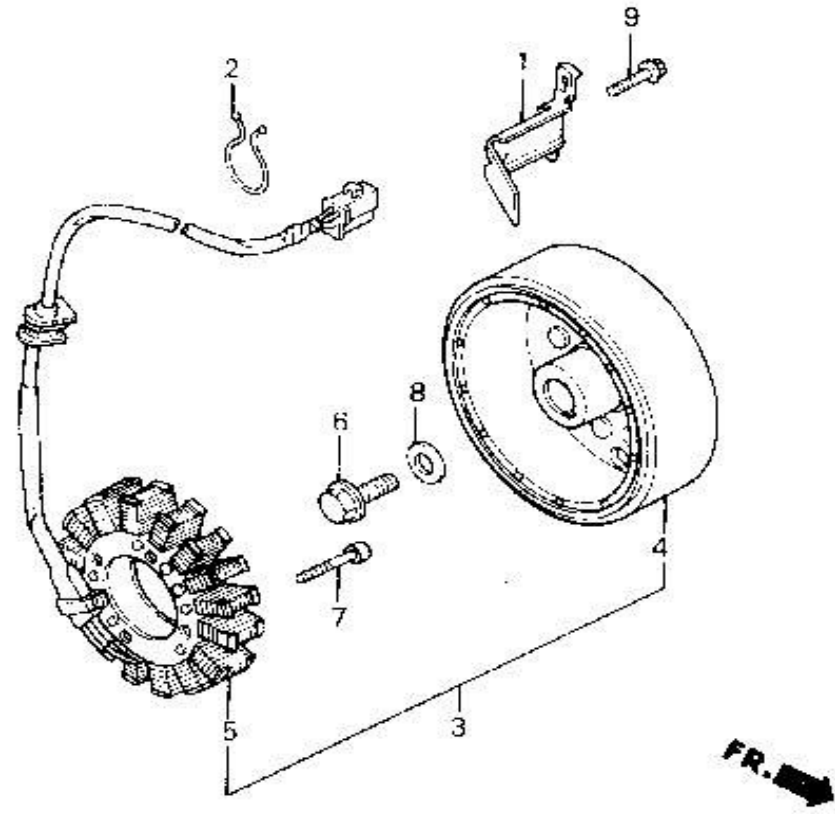
AIR CLEANER

REF#	PART	#REQ	REF#	PART	#REQ
1	GROMMET A, RR. COVER 11344-MB0-000	2	16	COVER, FR. AIR 17258-KAF-000	1
2	ELEMENT, AIR CLEANER 17210-KAF-000	1	17	CLIP, BREATHER TUBE 17369-KB4-670	2
3	CASE SUB, A/CLNR 17220-KAF-670	1	18	TUBE, BREATHER 17552-KT8-000	1
3	CASE SUB, A/CLNR 17220-KAF-750	1	19	TUBE, R. BREATHER 17553-KAF-000	1
4	SEAL, A/CLNR ELEM 17223-KAF-300	2	20	TUBE, L. BREATHER 17554-KAF-000	1
5	COVER, AIR CLEANER 17230-KAF-000	1	21	JOINT 17555-MN4-000	1
6	COVER 17232-KAF-000	1	22	CLIP, SUB-TANK HOSE 17724-102-700	2
7	MUFFLER, AIR CLEANER 17233-KAF-000	2	23	COLLAR, LOCK SETTING 83119-MG9-000	2
8	TUBE, AIR IN. 17240-KAF-750	1	24	SCREW, PAN (5X19) 90141-KT8-000	6
9	DUCT 17251-KAF-300	2	25	WASHER 90522-028-000	1
10	TUBE A 17253-KAF-300	2	26	BAND (60) 90651-GHB-730	4
11	FILTER, SUB A/CLNR 17253-KT8-000	1	27	CLAMP, TUBE (D17) 91405-MF5-860	1
12	TUBE B 17254-KAF-300	2	28	SCREW, PAN (4X20) 93500-04020-0G	4
13	TUBE, SUB A/CLNR 17255-KAF-000	1	29	SCREW, TAP (4X16) 93903-34420	3
14	CASE, SUB A/CLNR 17256-MR7-000 (replaces 17256-KAF-000)	1	30	CLIP, TUBE (B12.5) 95002-02130	4
14	CASE, SUB A/CLNR 17256-MR7-000	1	31	BOLT, FLANGE (6X12) 96001-06012-00	1
15	COVER, SUB A/CLNR	1	32	BOLT, FLANGE (6X20)	2

|17256-MM4-000

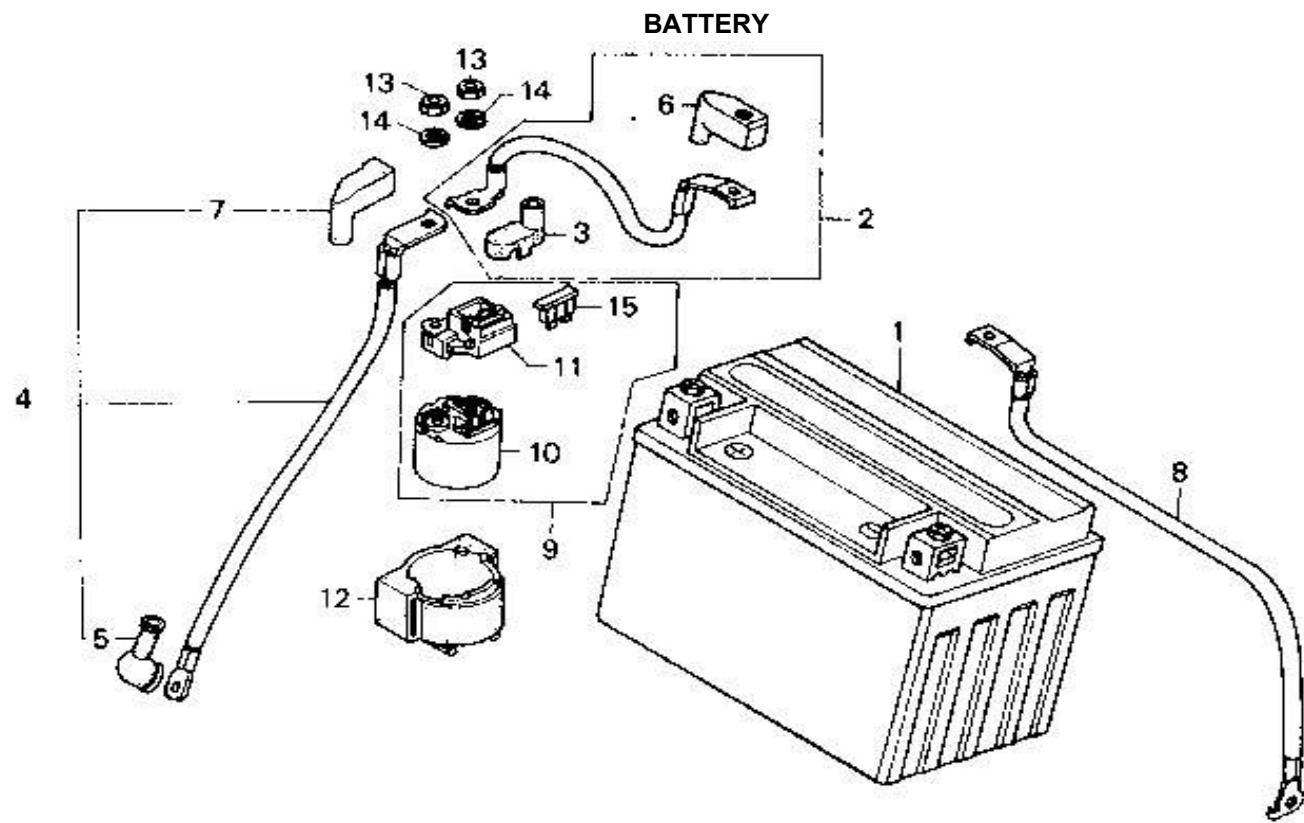
|96001-06020-00

ALTERNATOR



ALTERNATOR

REF#	PART	#REQ
1	CLAMP 11333-KT8-000	1
2	CLIP, TUBE (26) 17916-PE1-671	1
3	ALTERNATOR ASSY. 31100-KAF-671	1
4	FLYWHEEL 31110-KAF-671	1
5	STATOR 31120-KAF-003	1
6	BOLT, ROTOR SETTING 90023-KK3-830	1
7	BOLT, SOCKET (6X30) 90117-GB2-000	3
8	WASHER (10X24) 90403-KM9-000	1
9	BOLT, FLANGE (6X14) 95701-06014-00	1

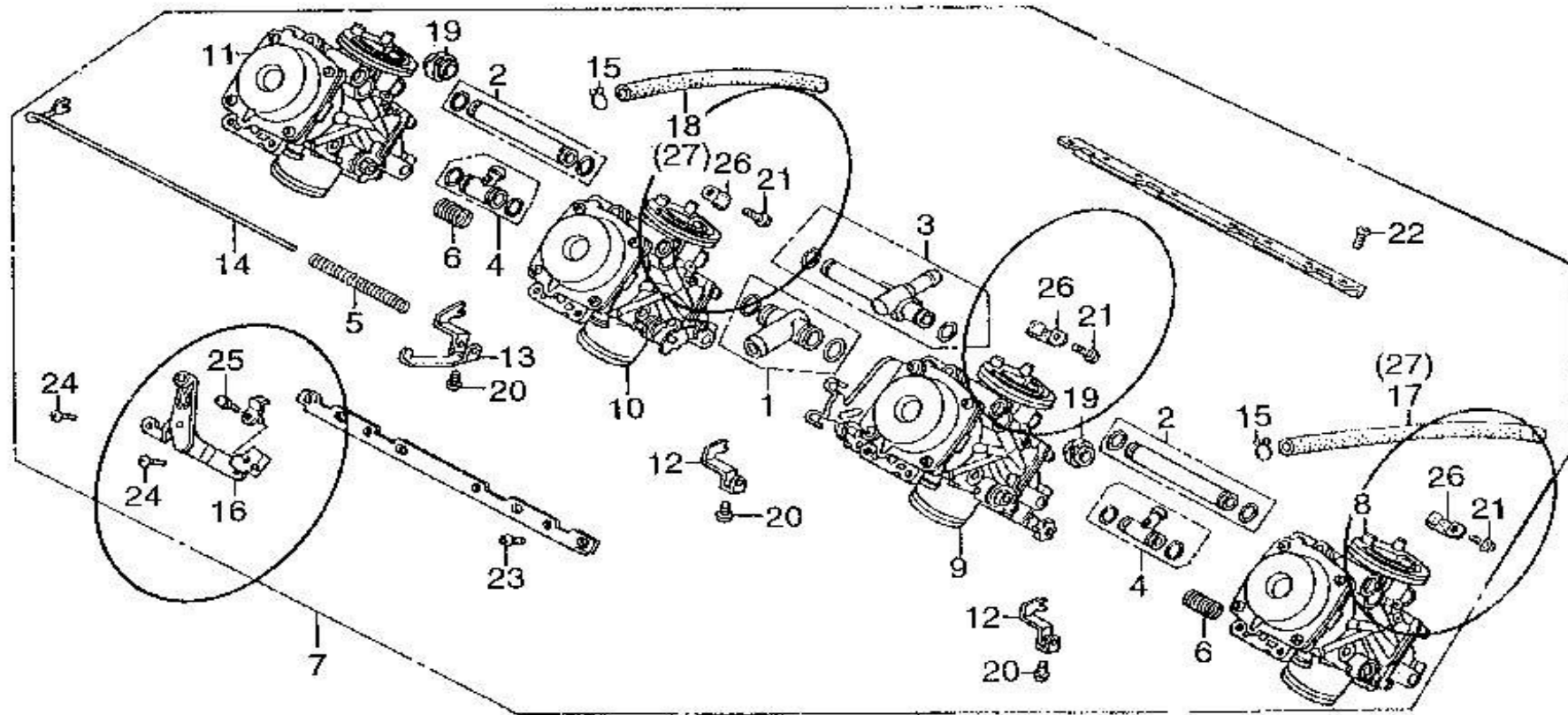


FR.

BATTERY

REF#	PART	#REQ	REF#	PART	#REQ
1	BATTERY (YTX9-BS) 31500-HN1-003	1	7	COVER B 32416-KAF-000	1
1	BATTERY (YTX9-BS) 31500-HN1-003 (replaces 31500-MN4-675)	1	8	CABLE 32601-KAF-000	1
1	BATTERY (YTX9-BS) 31500-HN1-003 (replaces 31500-MN4-677)	1	9	SWITCH ASSY. 35850-MK3-671	1
2	CABLE 32401-KAF-000	1	10	SWITCH 35851-MF5-751	1
3	COVER A 32404-MG8-000	1	11	HOLDER ASSY., FUSE 35855-MG7-751	1
4	CABLE, STARTER MOTOR 32410-KAF-000	1	12	RUB, SHOCK ABSORBER 35856-MF5-751	1
5	COVER 32411-230-000	1	13	NUT, HEX. (6MM) 94002-06080-0S	2
5	COVER 32411-230-000 (replaces 32411-253-000)	1	14	WASHER, SPRING (6MM) 94111-06800	2
6	COVER 32414-KY1-300	1	15	FUSE, BLADE (30A) 98200-33000	1

CARBURETOR ASSEMBLY

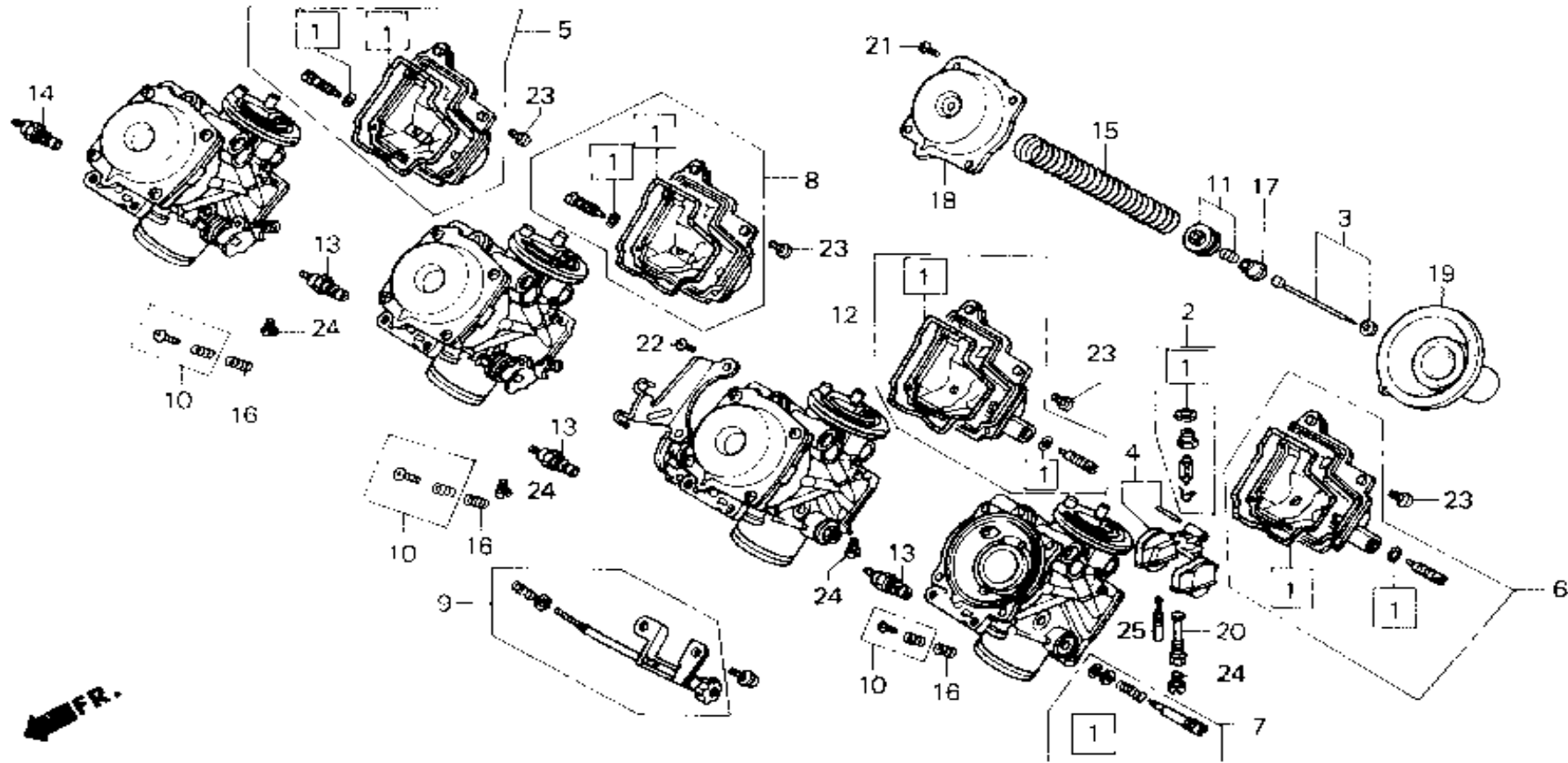


CARBURETOR ASSEMBLY

REF#	PART	#REQ	REF#	PART	#REQ
1	T-JOINT SET 16027-KAF-000	1	12	LEVER, STARTER 16120-KT8-003	2
2	JOINT SET, FUEL 16042-KG5-003	2	13	LEVER, STARTER 16121-KT8-003	1
3	JOINT SET B, TUBE 16042-KT8-003	1	14	SHAFT, STARTER LINK 16145-KAF-000	1
4	JOINT SET 16048-KR3-980 (replaces 16047-KT7-003)	2	15	CLIP, TUBE 16163-MB3-671	4
4	JOINT SET 16048-KR3-980 (replaces 16047-MA6-003)	2	15	CLIP, TUBE 16163-MB3-671	2
5	SPRING 16052-KT7-003	1	16	STAY, WIRE 16169-KAF-000	1
6	SPRING 16053-MA6-003	2	17	TUBE 16198-KAF-000	1
7	CARBURETOR ASSY. 16100-KAF-670	1	18	TUBE 16199-KAF-000	1
7	CARBURETOR ASSY. 16100-KAF-751	1	19	TUBE 16199-KY1-003	2
8	CARBURETOR ASSY. 1 16101-KAF-670	1	20	SCREW, PAN (4X6) 93500-04006-0A	3
8	CARBURETOR ASSY. 1 16101-KAF-751	1	21	SCREW, PAN (4X8) 93500-04008-0A	2
9	CARBURETOR ASSY. 2 16102-KAF-671	1	22	SCREW, PAN (5X10) 93500-05010-0A	8
9	CARBURETOR ASSY. 2 16102-KAF-752	1	23	SCREW, PAN (5X12) 93500-05012-0A	8
10	CARBURETOR ASSY. 3 16103-KAF-670	1	23	SCREW, PAN (5X12) 93500-05012-0A	6
10	CARBURETOR ASSY. 3 16103-KAF-751	1	24	SCREW, PAN (5X14) 93500-05014-0H	2
11	CARBURETOR ASSY. 4 16104-KAF-670	1	25	SCREW-WASHER (5X14) 93892-05014-00	2
11	CARBURETOR ASSY. 4	1			

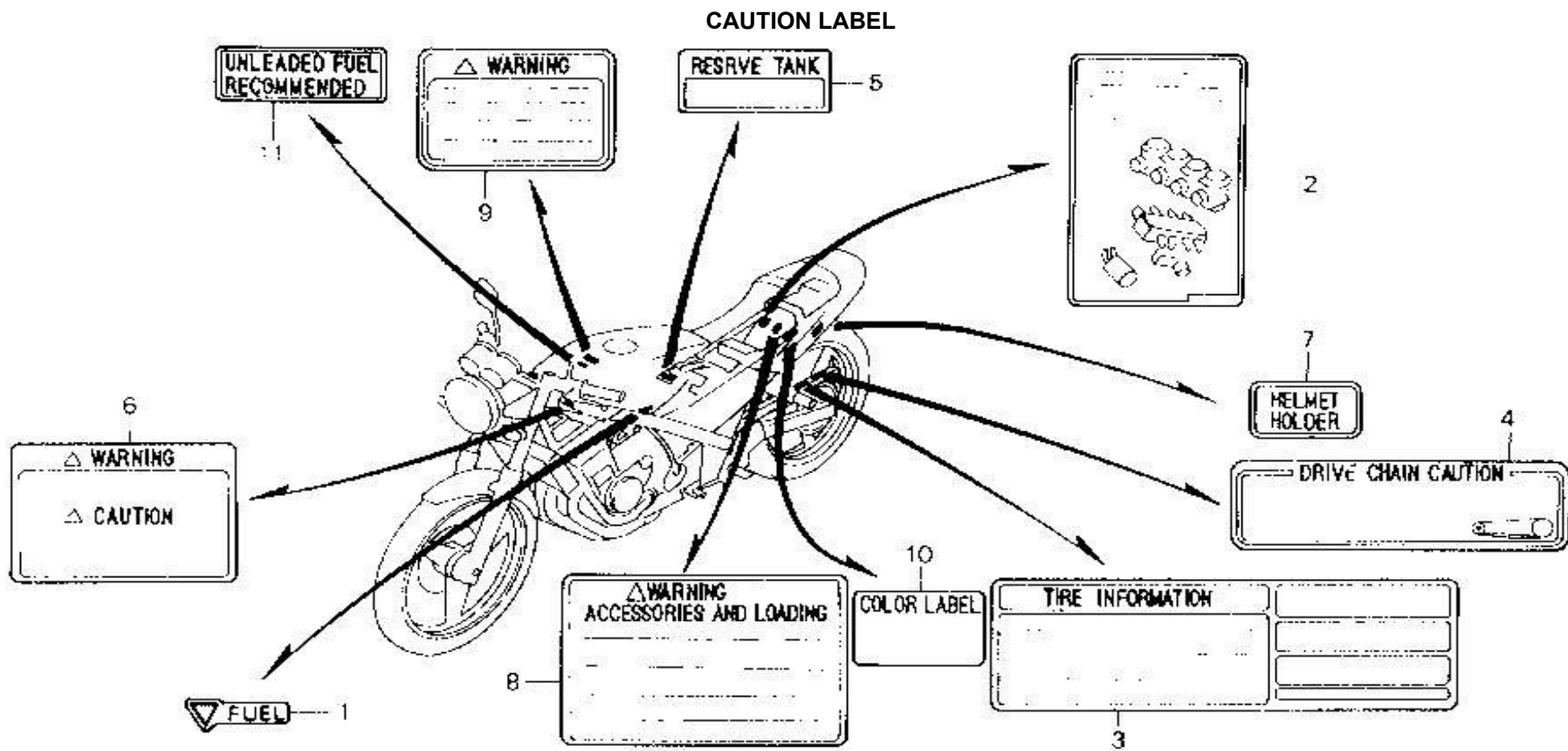
16104-KAF-751

CARBURETOR COMPONENTS



CARBURETOR COMPONENTS

REF#	PART	#REQ	REF#	PART	#REQ
1	GASKET SET 16010-MN4-305 (replaces 16010-MN4-003)	4	12	CHAMBER SET, FLOAT 16043-MN4-013	1
1	GASKET SET 16010-MN4-305	4	13	VALVE SET, STARTER 16046-KAF-000	3
2	VALVE SET, FLOAT 16011-KY2-711	4	14	VALVE SET, STARTER 16047-KAF-000	1
3	NEEDLE SET, JET 16012-KAF-750 (replaces 16012-KAF-670)	4	15	SPRING 16050-MR3-881	4
3	NEEDLE SET, JET 16012-KAF-750	4	16	SPRING 16052-MB0-671	3
4	FLOAT SET 16013-KT7-003	4	17	COLLAR SET 16075-KAF-000	4
5	CHAMBER SET, FLOAT 16015-KY2-711	1	18	TOP 16107-MN4-003	4
5	CHAMBER SET, FLOAT 16023-MT6-601	1	19	PISTON, VACUUM 16111-KAF-000	4
6	CHAMBER SET, FLOAT 16015-MN4-013	1	19	PISTON, VACUUM 16111-KAF-670	4
7	SCREW SET 16016-KAF-670	4	20	HOLDER, NEEDLE JET 16165-KAF-670	4
8	CHAMBER SET, FLOAT 16023-MN4-013	1	21	SCREW, PAN (4X10) 93500-04010-0A	14
8	CHAMBER SET, FLOAT 16045-MN4-013	1	22	SCREW, PAN (4X12) 93500-04012-0A	2
9	SCREW SET 16028-KAF-010	1	23	SCREW-WASHER (4X16) 93892-04016-00	16
9	SCREW SET 16028-KAF-751	1	24	JET, MAIN (#105) 99101-GHB-1050 (replaces 99101-393-1050)	4
10	SCREW SET 16029-MN4-003	3	24	JET, MAIN (#105) 99101-GHB-1050	4
11	PLATE SET 16037-KY2-003	4	25	JET, SLOW (#35) 99103-437-0350	4

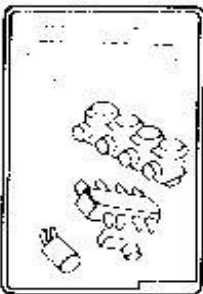


CAUTION LABEL

UNLEADED FUEL
RECOMMENDED

△ WARNING

RESERVE TANK



△ WARNING
△ CAUTION

HELMET
HOLDER

DRIVE CHAIN CAUTION

△ WARNING
ACCESSORIES AND LOADING

COLOR LABEL

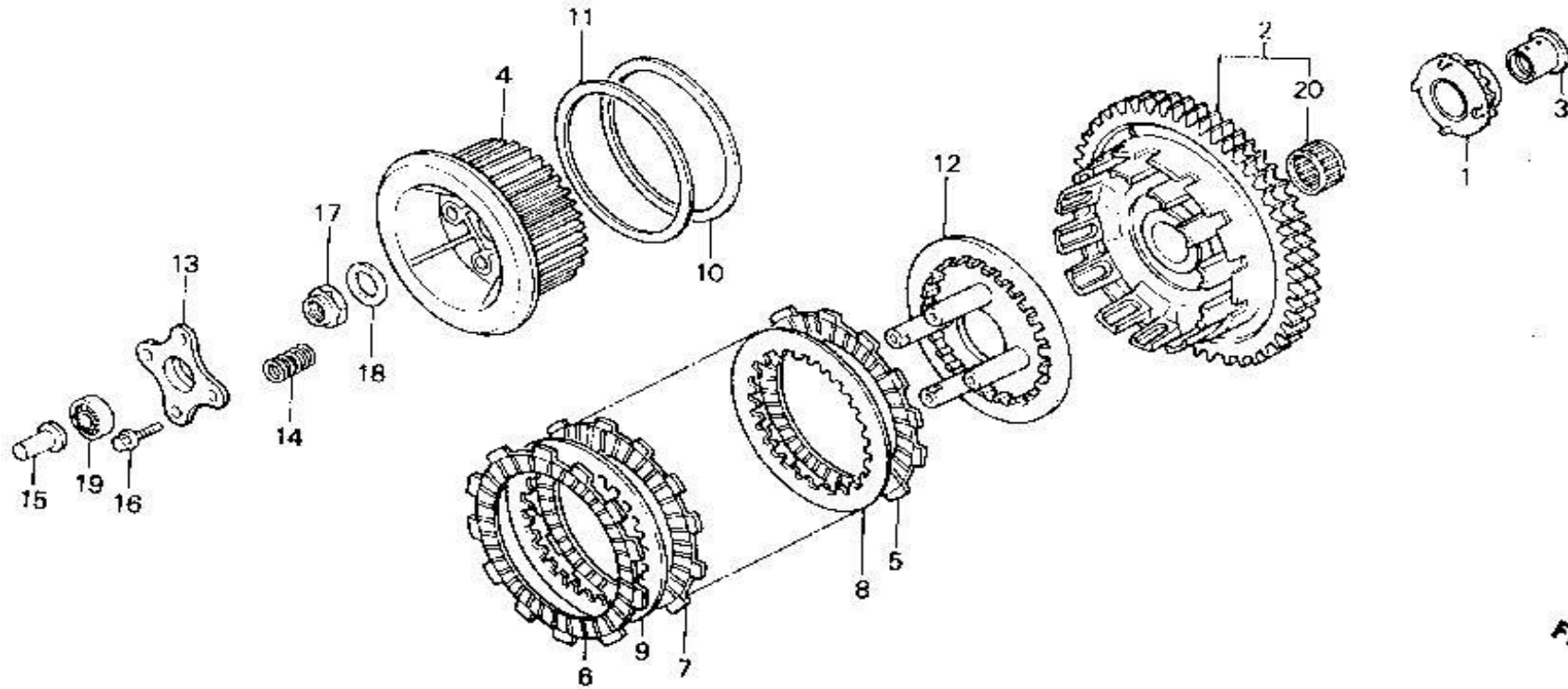
TIRE INFORMATION

▽ FUEL

CAUTION LABEL

REF#	PART	#REQ	REF#	PART	#REQ
1	MARK (TYPE4) 83607-KV3-300ZD	1	7	LABEL, HELMET HOLDER 87511-KR3-600	1
2	DIAGRAM 87135-KAF-750	1	8	LABEL 87512-KAF-670	1
3	LABEL, TIRE 87505-KAF-670	1	9	LABEL, DRIVE (TYPET) 87560-MT2-300ZB	1
4	MARK 87507-KAF-670	1	10	LABEL (B131) (TYPE3) 87565-KAF-670ZC	1
5	LABEL, RESERVE TANK 87507-ME9-670	1	11	LABEL, FUEL (TYPEB) 87586-MR6-670ZF (replaces 87586-MR6-670ZC)	1
6	LABEL, RADIATOR 87508-MT2-300	1	11	LABEL, FUEL (TYPEB) 87586-MR6-670ZF	1

CLUTCH

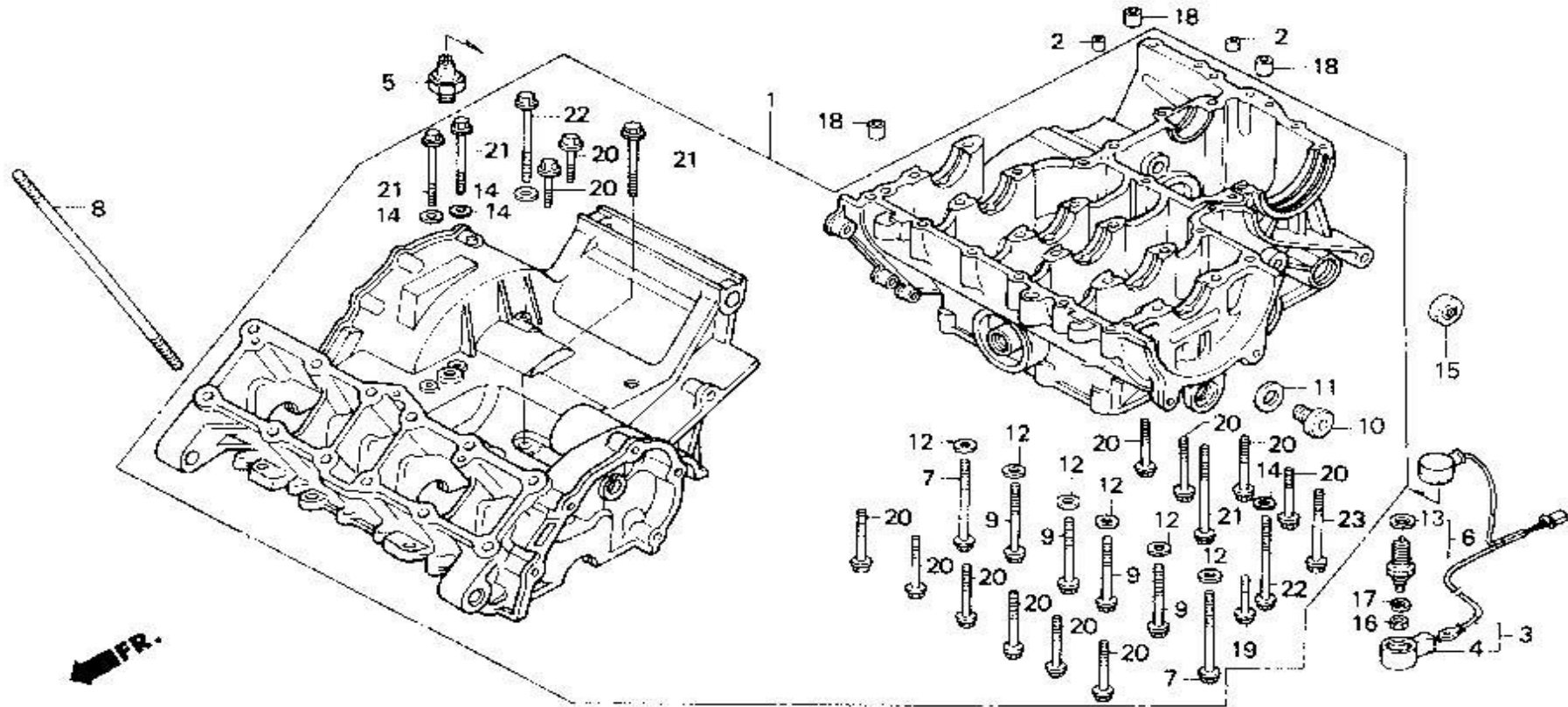


FR. →

CLUTCH

REF#	PART	#REQ	REF#	PART	#REQ
1	SPROCKET (25T) 15131-MY9-790 (replaces 15131-KT8-000)	1	9	PLATE B, CLUTCH 22322-MN4-000	1
1	SPROCKET (25T) 15131-MY9-790	1	10	SPRING, CLUTCH PLATE 22325-MN4-000	1
2	CLUTCH (OUTER) 22100-KY2-710	1	11	SEAT, JUDDER SPRING 22326-MN4-000	1
3	GUIDE, CLUTCH 22118-MCE-000 (replaces 22118-KAF-000)	1	12	PLATE, CLU PRESS 22350-MN4-000	1
3	GUIDE, CLUTCH 22118-MCE-000	1	13	PLATE, CLUTCH LIFTER 22361-MN4-010	1
4	CENTER SET, CLUTCH 04103-MY9-305	1	14	SPRING, CLUTCH 22401-KY2-000	4
4	CENTER SET, CLUTCH 04103-MY9-305 (replaces 22120-KAF-000)	1	15	ROD, CLUTCH LIFTER 22847-KY2-000	1
4	CENTER SET, CLUTCH 04103-MY9-305 (replaces 22120-MY9-900)	1	16	BOLT, FLANGE (6X25) 90003-MM4-000	4
5	DISK, CL FRICTION 22201-KY2-000	1	17	NUT, LOCK (20MM) 90241-KM9-000	1
6	DISK, CL FRICTION 22201-MA7-000	1	18	WASHER, LOCK 90432-121-000	1
7	DISK, CL FRICTION 22201-MT6-601	4	19	BEARING (12X28X7) 91001-KA4-003	1
8	PLATE B, CLUTCH 22321-374-000	4	20	BEARING (30X37X20) 91005-KT8-003	1
8	PLATE B, CLUTCH 22321-374-000 (replaces 22321-MN4-000)	4			
8	PLATE B, CLUTCH 22321-MT3-000	4			

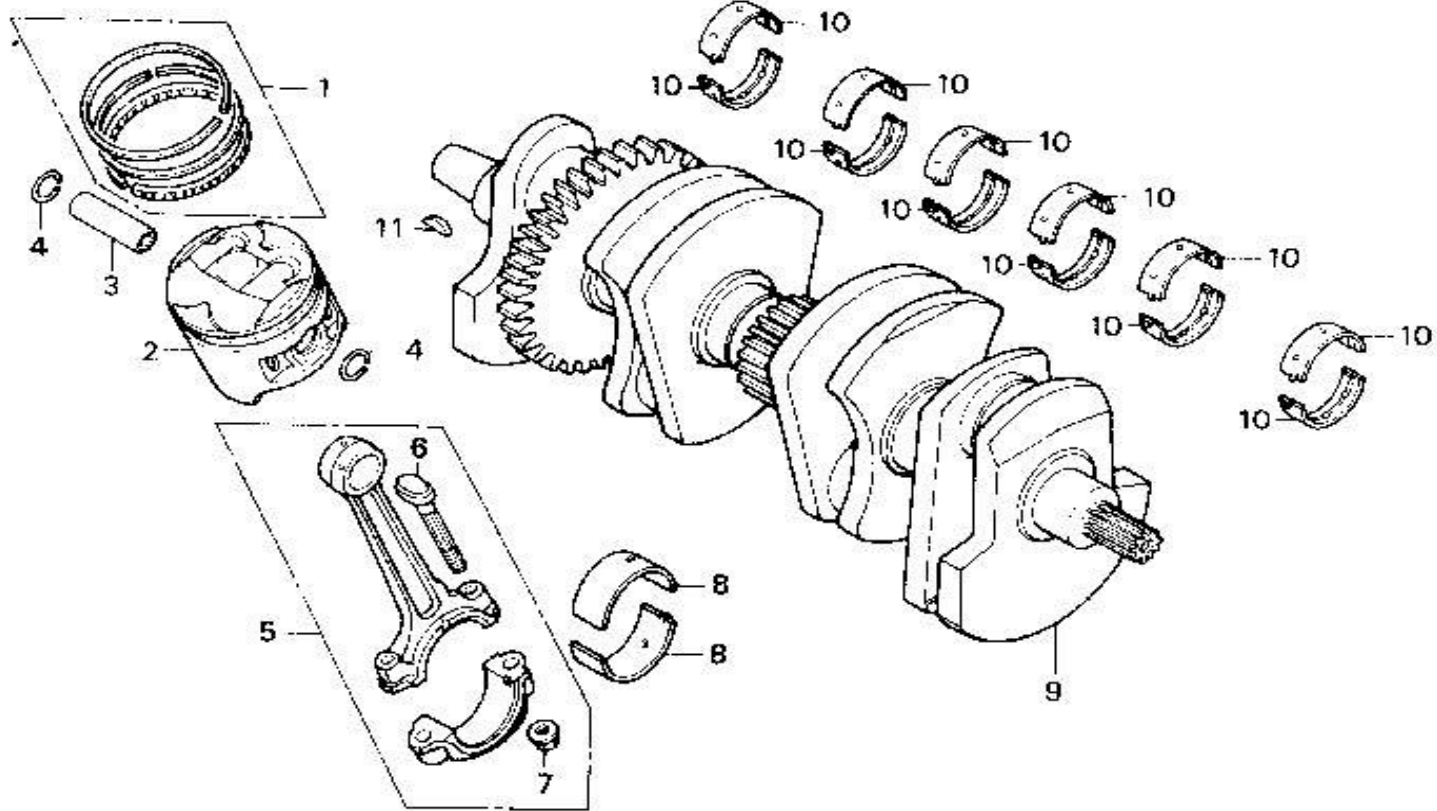
CRANKCASE



CRANKCASE

REF#	PART	#REQ	REF#	PART	#REQ
1	CRANKCASE SET 11000-KAF-000	1	14	WASHER (6.5MM) 90463-ML7-000	4
2	ORIFICE (1.2MM) 15515-KT8-000	2	15	OIL SEAL (14X22X5) 91203-KK3-830 (replaces 91203-KA4-771)	1
3	WIRE 32130-KAF-000	1	15	OIL SEAL (14X22X5) 91203-KK3-830	1
4	CVR, NEUTRAL SWITCH 32550-MJ6-000	1	16	NUT, HEX. (4MM) 94001-04000-0S	1
5	SWITCH, OIL PRESSURE 35500-MJ4-024 (replaces 35500-MJ4-014)	1	17	WASHER, SPRING (4MM) 94111-04800	1
5	SWITCH, OIL PRESSURE 35500-MJ4-024	1	18	PIN B, DOWEL (10X16) 94302-10160	3
6	SWITCH, NEUTRAL 35600-MM5-003	1	19	BOLT, FLANGE (6X32) 95701-06032-00	1
7	BOLT, FLANGE (8X88) 90024-MJ0-000	4	20	BOLT, FLANGE (6X45) 95701-06045-07 (replaces 95701-06045-00)	12
8	BOLT, STUD (8X147) 90031-MA6-000	12	20	BOLT, FLANGE (6X45) 95701-06045-07	12
9	BOLT, FLANGE (8X75) 90041-MA6-000	8	21	BOLT, FLANGE (6X90) 95701-06090-00	4
10	BOLT, SEALING (20MM) 90048-ME5-000	2	22	BOLT, FLANGE (6X100) 95701-06100-00	2
11	WASHER (20MM) 90442-ME5-000	1	22	NUT, FLANGE 95780-06500-00 (replaces 95701-06100-00)	2
12	WASHER (8MM) 90442-028-000	12	23	BOLT, FLANGE (8X65) 95701-08065-00	1
13	WASHER, NEUTRAL 90443-MJ6-000	1			

CRANKSHAFT

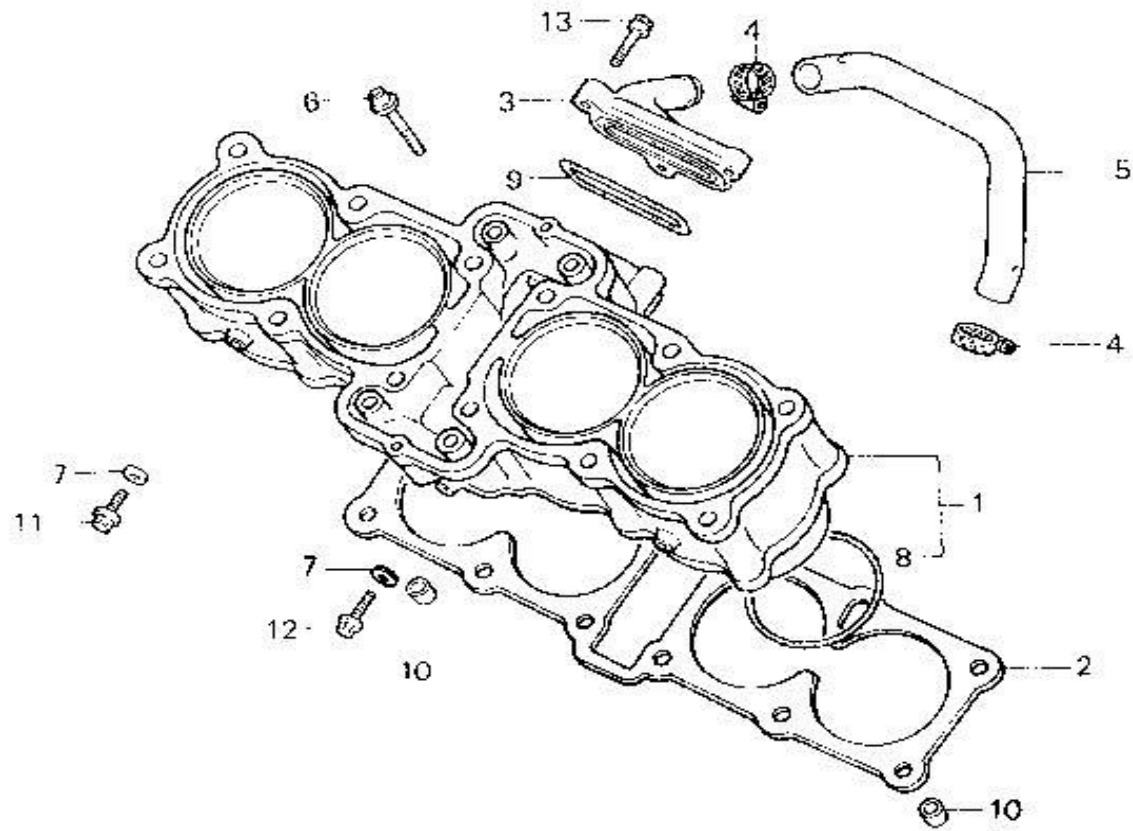


FR.

CRANKSHAFT

REF#	PART	#REQ	REF#	PART	#REQ
1	RING SET (STD) 13011-MV4-305 (replaces 13011-KAF-000)	4	8	BEARING A, CONN ROD 13224-KT8-003	8
1	RING SET (STD) 13011-MV4-305	4	8	BEARING B, CONN ROD 13225-KT8-003	8
1	RING SET (OS 0.25) 13021-KAF-750	(4)	8	BEARING C, CONN ROD 13226-KT8-003	8
1	RING SET (OS 0.50) 13031-KAF-750	(4)	9	CRANKSHAFT 13300-KY2-000	1
2	PISTON 13101-KY2-000	4	10	BEARING A 13323-KT8-013 (replaces 13323-KT8-003)	12
2	PISTON (OS 0.25) 13102-KAF-750	(4)	10	BEARING A 13323-KT8-013	12
2	PISTON (OS 0.50) 13103-KAF-750	(4)	10	BRG B, CRANKSHAFT 13324-KT8-013 (replaces 13324-KT8-003)	12
3	PIN, PISTON 13111-KY2-000	4	10	BRG B, CRANKSHAFT 13324-KT8-013	12
4	CLIP (14MM) 13112-ML0-720	8	10	BRG C, CRANKSHAFT 13325-KT8-013 (replaces 13325-KT8-003)	12
5	ROD A, CONNECTING 13201-MV4-000 (replaces 13201-KT8-010)	4	10	BRG C, CRANKSHAFT 13325-KT8-013	12
5	ROD A, CONNECTING 13201-MV4-000	4	10	BRG D, CRANKSHAFT 13326-KT8-013 (replaces 13326-KT8-003)	12
6	BOLT, CONNECTING ROD 13213-ML0-000	8	10	BRG D, CRANKSHAFT 13326-KT8-013	12
7	NUT, CONNECTING ROD 13215-KM3-000	8	11	KEY (25X14) 90741-413-000	1

CYLINDER

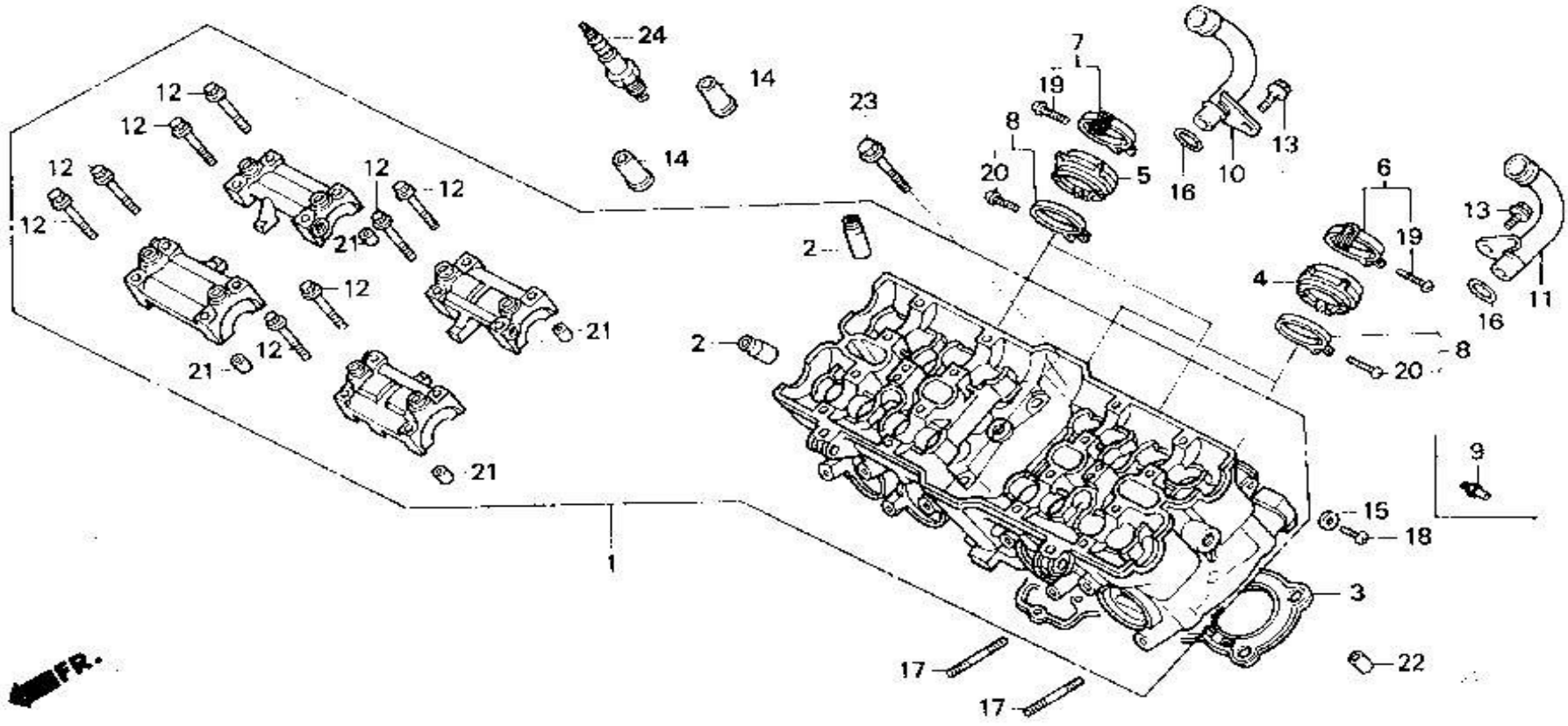


FR.

CYLINDER

REF#	PART	#REQ	REF#	PART	#REQ
1	CYLINDER 12100-KAF-000	1	8	O-RING (61X2) 91304-KT8-003	4
2	GASKET, CYLINDER 12191-KY2-000	1	8	O-RING (61X2) 91304-KT8-003 (replaces 91304-KT8-004)	4
3	JOINT, WATER 19063-KT8-000	1	9	GASKET, WATER JOINT 91307-KT8-003	1
4	CLAMP A, WATER HOSE 19516-MJ8-000	2	10	PIN, DOWEL (10X16) 94301-10160	2
5	HOSE A, WATER 19525-KT8-000	1	11	BOLT, FLANGE (6X12) 95701-06012-00	2
6	BOLT (6X32) 90091-MG3-000	1	12	*95701-06016-08 95701-06016-00	1
7	WASHER (6.5MM) 90463-ML7-000	3	13	BOLT, FLANGE (6X25) 96001-06025-00	3

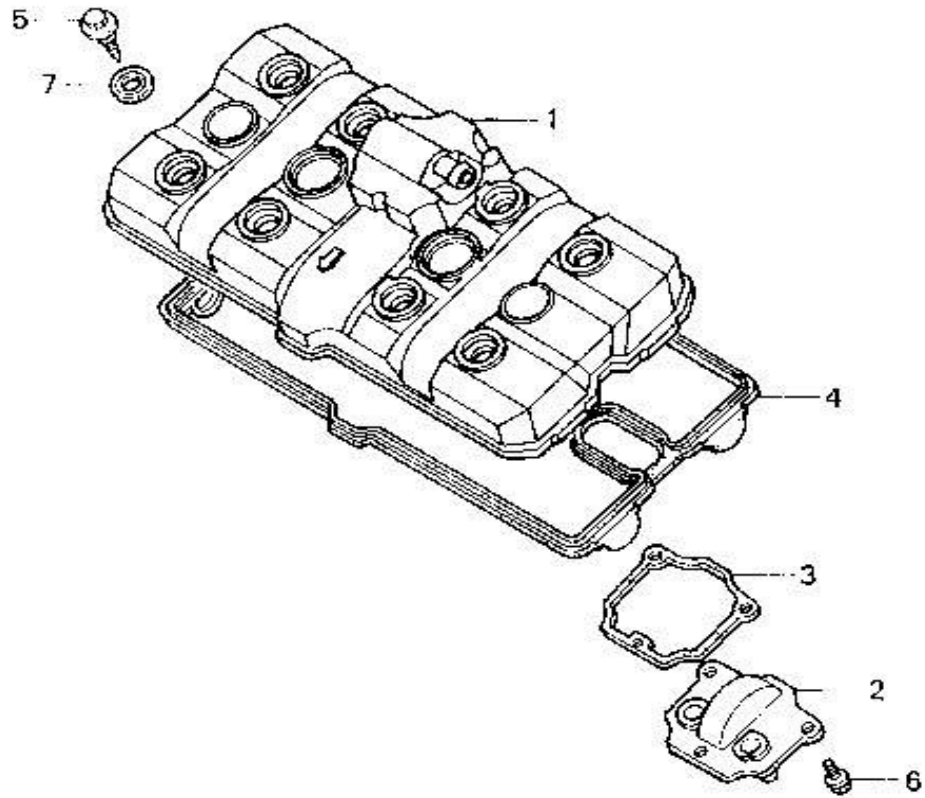
CYLINDER HEAD



CYLINDER HEAD

REF#	PART	#REQ	REF#	PART	#REQ
1	CYLINDER HEAD ASSY. 12010-KAF-000	1	17	BOLT 2, STUD (6X22) 92900-06022-0E	8
1	CYLINDER HEAD ASSY. 12010-KAF-750	1	18	SCREW, PAN (5X8) 93500-05008-0A	4
2	GUIDE, VALVE (OS) 12204-KY2-305	16	18	SCREW, PAN (5X8) 93500-05008-0A	1
3	GASKET, CYL HD 12251-MY9-691 (replaces 12251-KY2-005)	1	19	SCREW, PAN (5X32) 93500-05032-0G	4
3	GASKET, CYL HD 12251-MY9-691	1	20	SCREW, PAN (5X25) 93500-05025-0G	4
4	INSULATOR A, CARB 16212-KAF-000	2	20	SCREW, PAN (5X25) 93516-05025-0G	4
5	INSULATOR B, CARB 16213-KY2-010 (replaces 16213-KAF-000)	2	21	PIN, DOWEL (8X14) 94301-08140	8
6	BAND A, INSULATOR 16217-MN4-000	2	22	PIN, DOWEL (10X16) 94301-10160	2
7	BAND B, INSULATOR 16218-MN4-000	2	23	BOLT, FLANGE (6X32) 95701-06032-08	2
8	BAND, INSULATOR 16219-KE7-010	4	24	SPARK PLUG (CR8EH9) 98059-58916	4
9	JOINT, PB 16221-MA6-000	3	24	SPARK PLUG (CR9EH9) 98059-59916 (replaces 98059-58926)	4
10	PIPE, R. WATER 19065-KAF-000	1	24	SPARK PLUG (CR9EH9) 98059-59916 (replaces 98059-59910)	4
11	PIPE, L. WATER 19067-KAF-000	1	24	SPARK PLUG (CR9EH9) 98059-59916 (replaces 98059-59910)	(4)
12	BOLT, FLG (6X45.5) 90017-MA6-000	16	24	SPARK PLUG (CR9EH9) 98059-59916	(4)
13	BOLT, SPECIAL (6X12) 90018-KY6-000	2	24	SPARK PLUG (CR9EH9) 98059-59916	4
14	NUT, CAP (8MM) 90443-KY2-010	12	24	SPARK PLUG (CR9EH9) 98059-59916	(4)
15	WASHER (5MM) 90452-323-000	4	24	SPARK PLUG (CR9EH9) 98059-59916 (replaces 98059-59926)	4
16	O-RING (15X2.5) 91302-028-000	2	24	SPARK PLUG (CR9EH9) 98059-59916 (replaces 98059-59926)	(4)

CYLINDER HEAD COVER

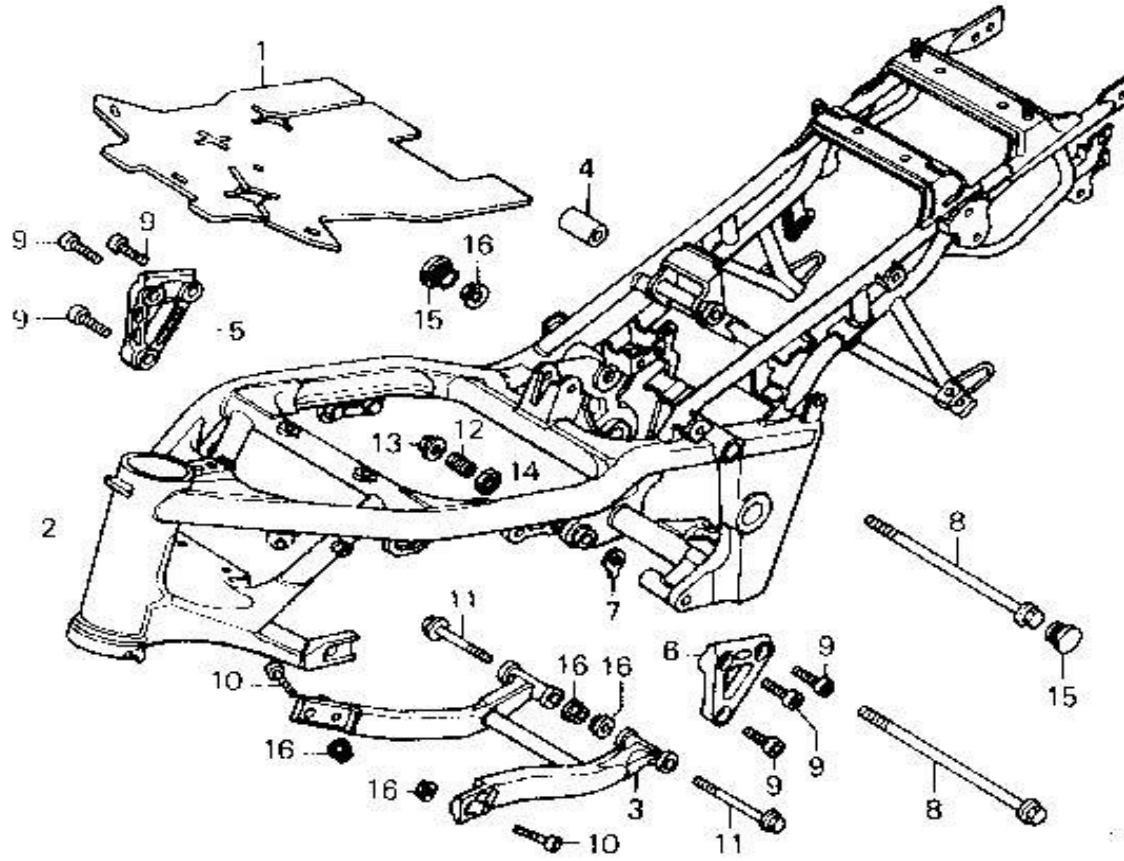


FR.

CYLINDER HEAD COVER

REF#	PART	#REQ	REF#	PART	#REQ
1	COVER, CYLINDER HEAD 12310-KAF-750	1	5	BOLT, HEAD COVER 90017-KT7-010	8
2	PLATE, BREATHER 12320-KY2-000	1	5	BOLT, HEAD COVER 90017-MY9-790	8
3	GASKET, BTHR PLATE 12321-MV4-780 (replaces 12321-KY2-000)	1	6	BOLT (6X14) 90028-MA6-000	3
3	GASKET, BTHR PLATE 12321-MV4-780 (replaces 12321-MV4-000)	1	7	RUBBER, SETTING 90543-MV9-670 (replaces 90543-ML4-610)	8
3	GASKET, BTHR PLATE 12321-MV4-780	1	7	RUBBER, SETTING 90543-MV9-670	8
4	GASKET, HEAD COVER 12391-KAF-000	1			

FRAME

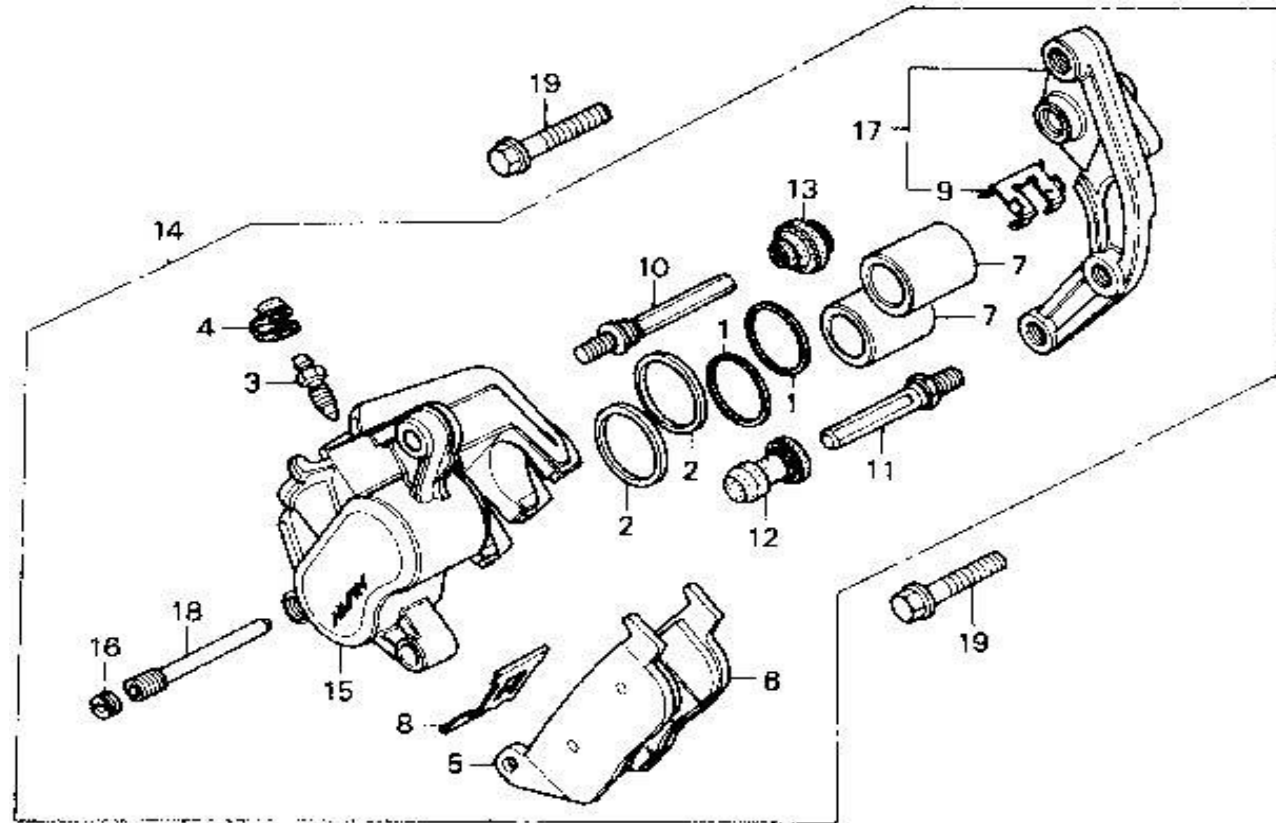


FR.

FRAME

REF#	PART	#REQ	REF#	PART	#REQ
1	RUBBER, HEAT GUARD 19126-KAF-000	1	9	BOLT, SOCKET (10X23) 90105-KAF-000	6
2	FRAME 50100-KAF-670	1	10	BOLT, SOCKET (10X32) 90106-MA6-750	4
2	FRAME 50100-KAF-750	1	11	BOLT, FLG (10X120) 90110-KAF-000	2
3	FRAME (LOWER) 50200-KAF-000	1	12	COLLAR 90116-KAF-000	1
4	COLLAR A, ENG HGR 50350-KAF-000	1	13	NUT (10MM) 90305-HC0-770	1
5	STAY, R. 50351-KAF-000	1	14	NUT, LOCK (20MM) 90341-KV3-700	1
6	STAY, L. 50352-KAF-000	1	15	PLUG, FRAME SIDE 90851-KAF-000	2
7	WASHER (10MM) 50358-KAF-000	1	16	NUT, FLANGE (10MM) 94050-10000	7
8	BOLT, FLG (10X288) 90102-KAF-000	2			

FRONT BRAKE CALIPER

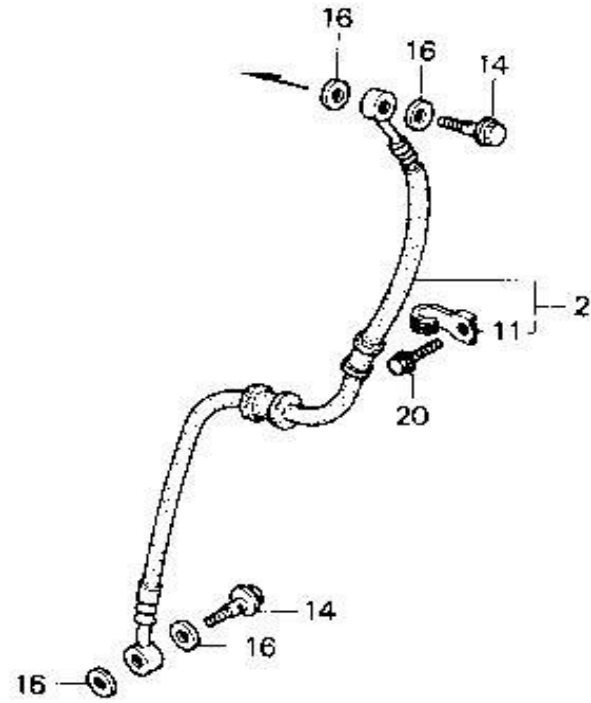
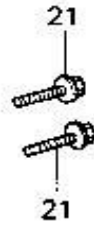
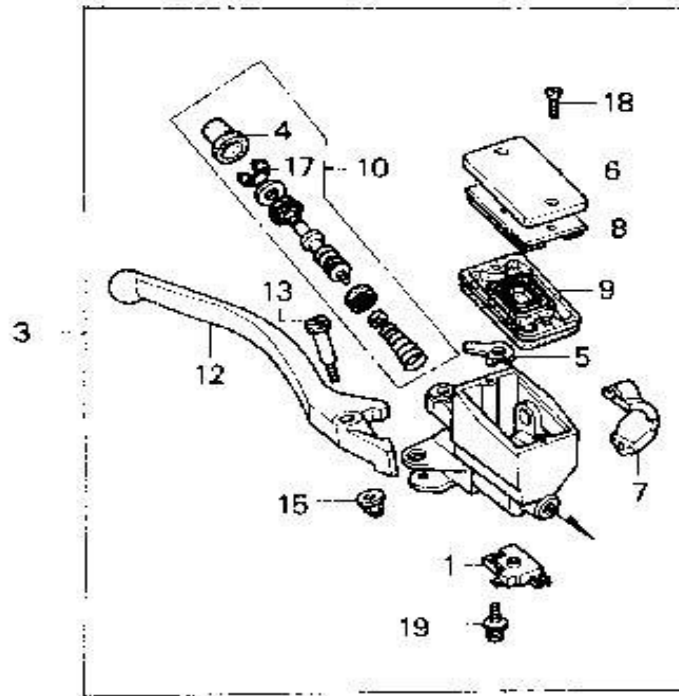


FR. →

FRONT BRAKE CALIPER

REF#	PART	#REQ	REF#	PART	#REQ
1	DUST SEAL 43109-MA3-006	2	11	PIN, BOLT 45131-166-016	1
2	SEAL, PISTON 43209-MA3-006	2	12	BUSH, PIN 45132-166-016	1
3	SCREW, BLEEDER 43352-568-003	1	13	BOOT B 45133-MA3-006	1
4	CAP, BLEEDER 43353-461-771	1	14	CALIPER, R. FR. 45200-KAF-671	1
5	PAD, FR. BRAKE 45105-MS9-612	1	15	BODY, R. FR. CALIPER 45201-KAF-672 (replaces 45201-KAF-671)	1
6	PAD, FR. BRAKE 45106-MS9-612	1	15	BODY, R. FR. CALIPER 45201-KAF-672	1
7	PISTON 45107-MN4-016 (replaces 45107-MN4-006)	2	16	PLUG, PIN 45203-MG3-016 (replaces 45203-MG3-006)	1
7	PISTON 45107-MN4-016	2	16	PLUG, PIN 45203-MG3-016	1
8	SPRING, PAD 45108-ML7-922 (replaces 45108-ML7-921)	1	17	BRACKET, R. FR. 45210-KAF-006	1
8	SPRING, PAD 45108-ML7-922	1	18	PIN, HANGER 45215-ML7-922 (replaces 45215-ML7-921)	1
9	RETAINER 45112-MS9-611	1	18	PIN, HANGER 45215-ML7-922	1
10	BOLT A, PIN 45131-ML7-921	1	19	BOLT, FLANGE (8X32) 90107-MR7-000	2

FRONT BRAKE MASTER CYLINDER

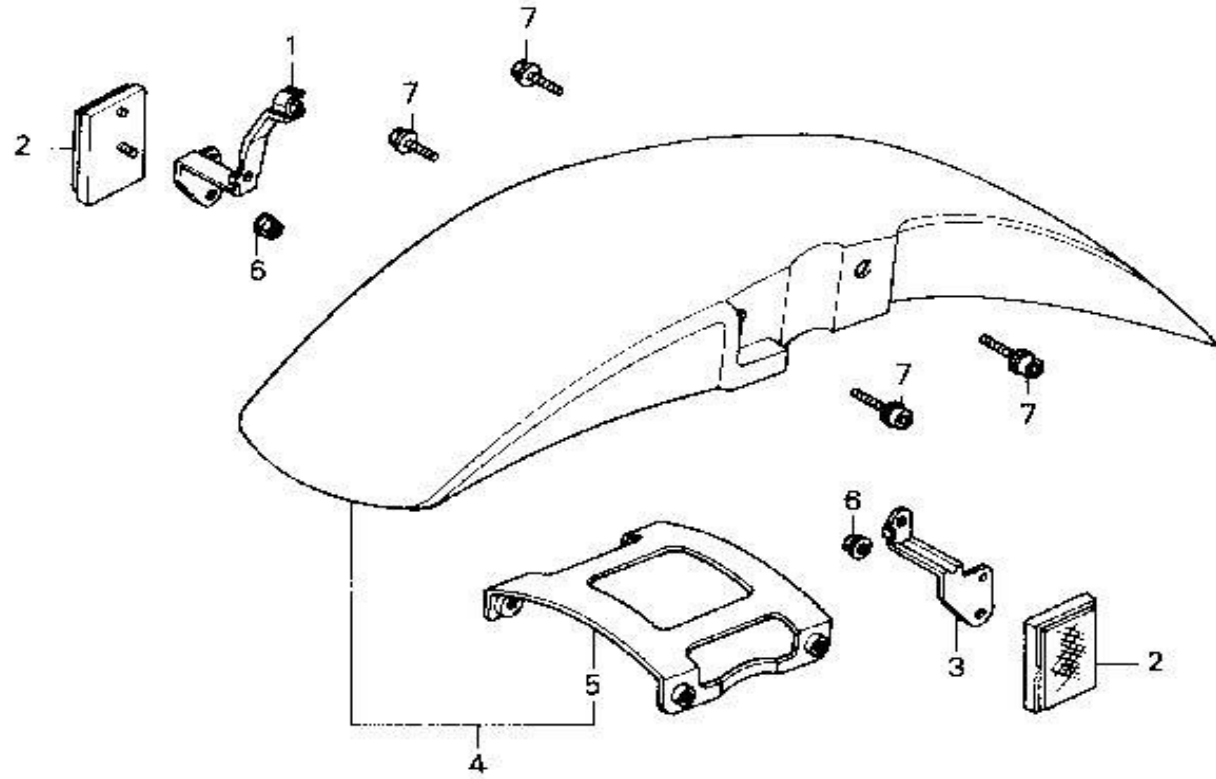


FR.

FRONT BRAKE MASTER CYLINDER

REF#	PART	#REQ	REF#	PART	#REQ
1	SWITCH, FR. STOP 35340-MA5-671	1	12	LEVER, R. HANDLEBAR 53175-ML5-006	1
2	HOSE, R. FR. BRAKE 45125-KAF-761 (replaces 45125-KAF-003)	1	13	BOLT, R. 90114-MA5-671	1
2	HOSE, R. FR. BRAKE 45125-KAF-761	1	14	BOLT, OIL (10X22) 90145-MS9-612 (replaces 90145-MS9-611)	2
3	*45510-KAF-306 45500-KAF-672 (replaces 45500-KAF-671)	1	14	BOLT, OIL (10X22) 90145-MS9-612	2
3	*45510-KAF-306 45500-KAF-672	1	15	NUT, CAP (6MM) 90201-415-000	1
4	BOOT 45504-410-003	1	16	WASHER, OIL BOLT 90545-300-000	4
5	PROTECTOR 45512-MA6-006	1	17	CIRCLIP 90651-MA5-671	1
6	CAP, MASTER CYLINDER 45513-MB4-673	1	18	SCREW, FLAT (4X12) 93600-04012-0G	2
7	HOLDER 45517-166-006	1	18	SCREW, FLAT (4X12) 93600-04012-0G (replaces 93600-04012-1G)	2
8	PLATE, DIAPHRAGM 45518-MB4-671	1	19	SCREW-WASHER (4X12) 93893-04012-08	1
9	DIAPHRAGM 45520-MA5-672	1	19	SCREW-WASHER (4X12) 93893-04012-08 (replaces 93893-04012-18)	1
10	MASTER CYLINDER SET 45530-MN9-305	1	20	BOLT, FLANGE (6X10) 96001-06010-07	1
11	CLAMP B, RR. 52118-KV3-700	1	21	BOLT, FLANGE (6X25) 96001-06025-07	2

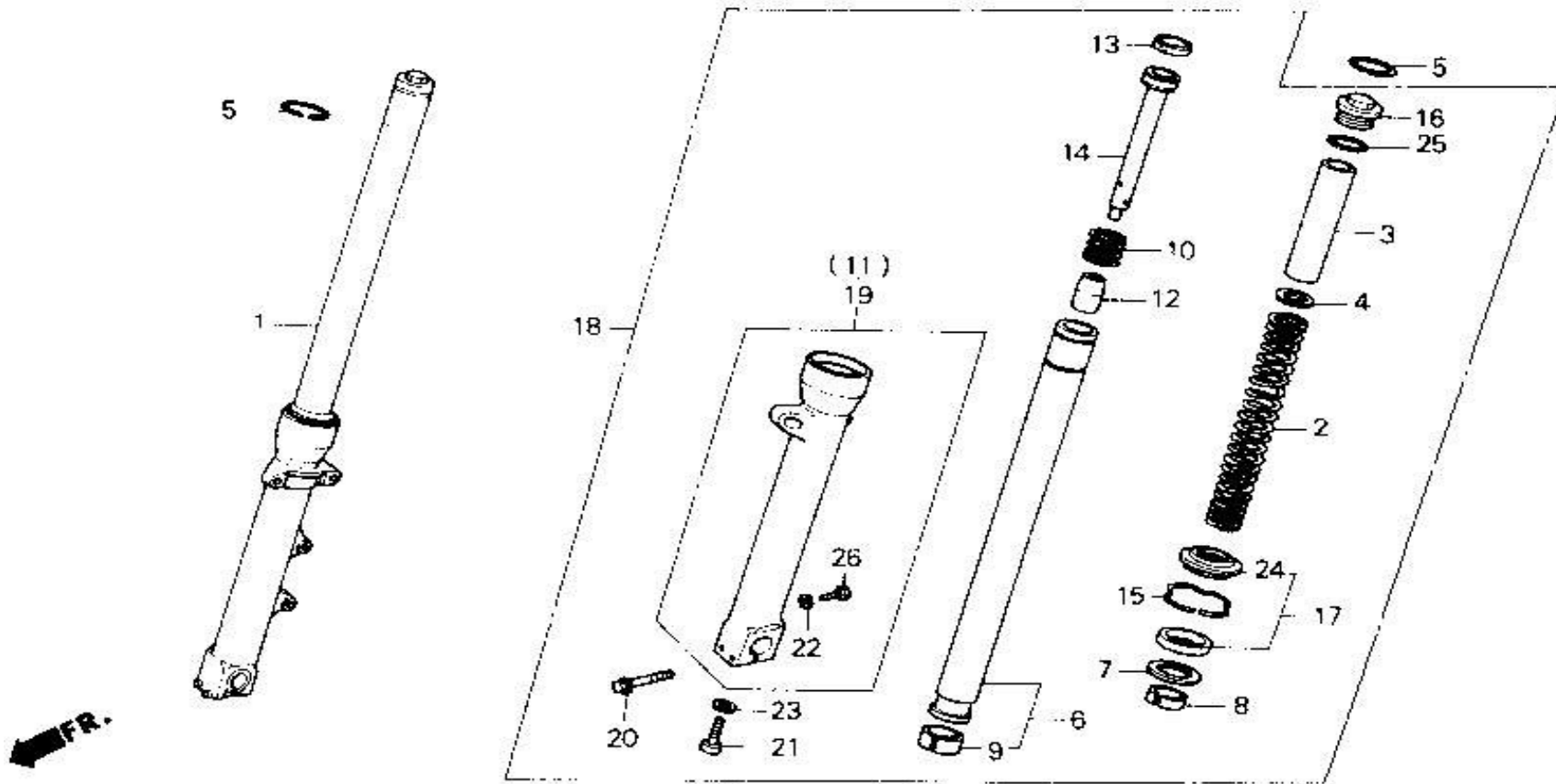
FRONT FENDER



FRONT FENDER

REF#	PART	#REQ
1	STAY, R. FR. 33740-KAF-670	1
2	REFLECTOR, FR. 33741-MB2-671	2
3	STAY, L. FR. 33750-KAF-670	1
4	FENDER, FR. *B131P* 61100-KAF-000ZA	1
5	PLATE, FR. FENDER 61101-KAF-000	1
6	NUT, FLANGE (5MM) 94050-05070	2
7	BOLT, SOCKET (6X18) 96600-06018-00	4

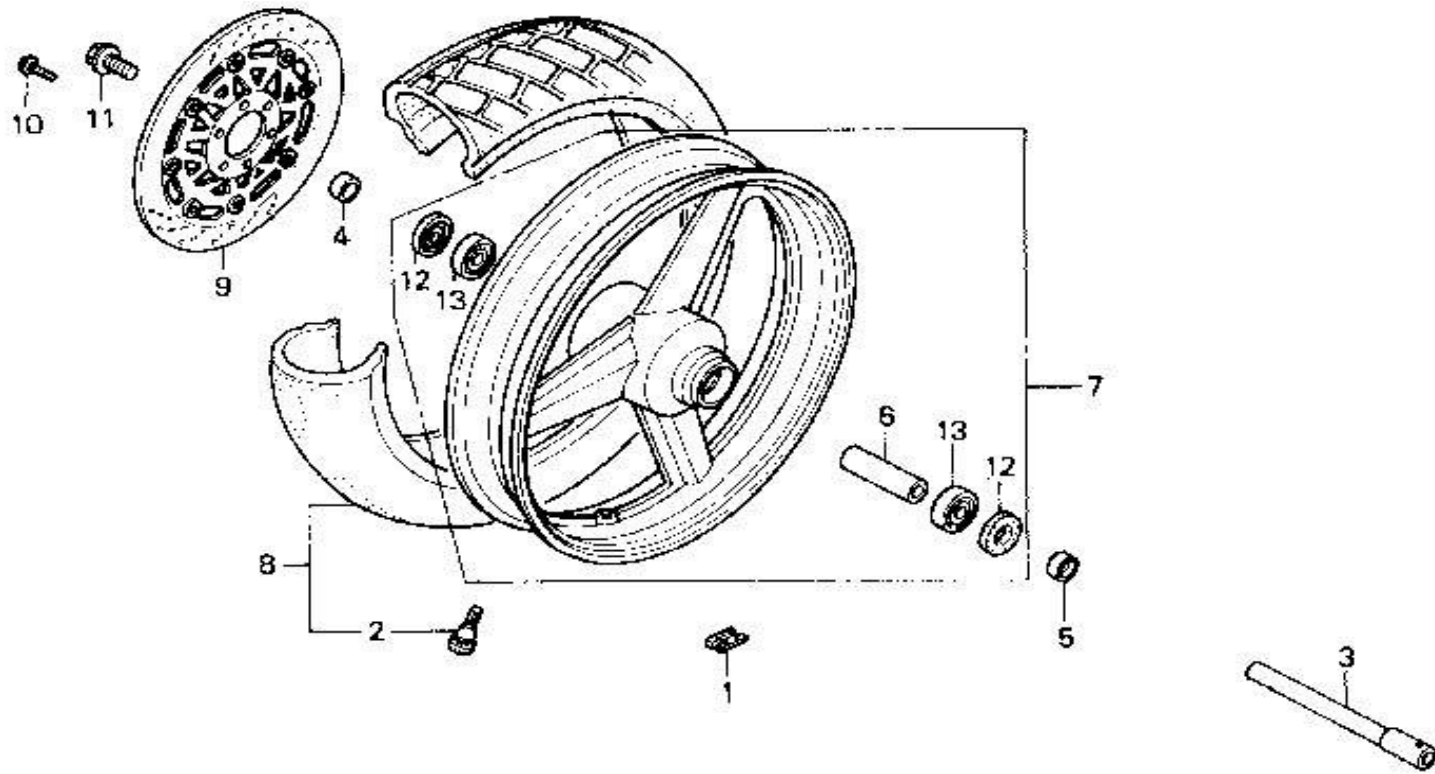
FRONT FORK



FRONT FORK

REF#	PART	#REQ	REF#	PART	#REQ
1	FORK ASSY., R. FR. 51400-KAF-671	1	14	PIPE, SEAT 51440-KAF-003	2
2	SPRING, FR. FORK 51401-KAF-003	2	15	RING 51447-KA4-711	2
3	COLLAR, SPRING 51402-KV3-701	2	16	BOLT, FR. FORK 51454-MM9-671	2
4	SEAT, SPRING 51403-KF0-003	2	17	SEAL SET, FR. FORK 51490-MN8-305	2
5	RING, STOPPER 51405-MB4-003	2	18	FORK ASSY., L. FR. 51500-KAF-671	1
6	PIPE, FR. FORK 51410-KAF-003	2	19	CASE, L. (LOWER) 51521-KAF-671	1
7	RING, BACK-UP 51412-MB4-003	2	20	BOLT, FLANGE (8X45) 90109-MR7-000	4
8	BUSH, GUIDE 51414-KCR-003	2	21	BOLT, SOCKET (8MM) 90116-KV3-701	2
8	BUSH, GUIDE 51414-KCR-003 (replaces 51414-MN5-003)	2	22	GASKET, FR. 90543-273-000	2
9	BUSH, SLIDER 51415-KCR-003	2	23	WASHER (8MM) 90544-283-000	2
9	BUSH, SLIDER 51415-KCR-003 (replaces 51415-MM8-003)	2	24	DUST SEAL 91254-MM8-003	2
10	SPRING, FR. REBOUND 51416-KF0-003	2	25	O-RING (21.7X3.5) 91356-KF0-003	2
11	CASE, R. (LOWER) 51421-KAF-671	1	26	BOLT, HEX. (6X8) 92101-06008-0A (replaces 92000-06008-0A)	2
12	PIECE, OIL LOCK 51432-KV3-701	2	26	BOLT, HEX. (6X8) 92101-06008-0A	2
13	RING, PISTON 51437-KV3-701	2			

FRONT WHEEL



←FR.

FRONT WHEEL

REF#	PART	#REQ	REF#	PART	#REQ
1	WEIGHT, BALANCE (10) 42704-MCF-D60 (replaces 42704-MB0-000)	AR	7	WHEEL SET *NH167MU* 44650-KAF-305ZA (replaces 44650-KAF-305)	1
1	WEIGHT, BALANCE (20) 42705-MCF-D60 (replaces 42705-MB0-000)	AR	7	WHEEL SET *NH167MU* 44650-KAF-305ZA	1
1	WEIGHT, BALANCE (20) 42705-MCF-D60	AR	8	TIRE (110/70-17) 44710-KAF-004 (replaces 44710-KAF-003)	1
1	WEIGHT, BALANCE (30) 42706-MCF-D60 (replaces 42706-MB0-000)	AR	8	TIRE (110/70-17) 44710-KAF-004	1
1	WEIGHT, BALANCE (30) 42706-MCF-D60	AR	9	DISK, FR. *NH167MU* 45220-KAF-000ZA	1
2	VALVE, RIM 42753-ML7-003	1	10	BOLT, DISK (8X22) 90105-KV0-700	6
2	VALVE, RIM 42753-ML7-004	1	11	BOLT, FR. AXLE 90305-ML7-000 (replaces 90305-KT8-000)	1
3	AXLE, FR. WHEEL 44301-KV3-700	1	11	BOLT, FR. AXLE 90305-ML7-000	1
3	AXLE, FR. WHEEL 44301-MM5-000	1	12	DUST SEAL (28X42X8) 91257-MAY-003 (replaces 91257-KA3-711)	2
4	COLR, FR. WHEEL SIDE 44311-MR1-000 (replaces 44311-KV3-700)	1	12	DUST SEAL (28X42X8) 91257-MAY-003 (replaces 91257-KA3-712)	2
4	COLR, FR. WHEEL SIDE 44311-MR1-000	1	12	DUST SEAL (28X42X8) 91257-MAY-003	2
5	COLLAR, L. FR. 44312-KV3-700	1	13	BEARING (6004UU) 96150-60040-10	2
6	COLLAR, FR. 44620-MR1-000	1			

FUEL TANK

REF#	PART	#REQ	REF#	PART	#REQ
1	SET,FUEL PUMP 16700-KAF-405	1	20	TUBE 17540-KAF-010 (replaces 17540-KAF-000)	1
1	SET,FUEL PUMP 16700-KAF-405 (replaces 16710-KAF-003)	1	20	TUBE 17540-KAF-010	1
2	HOLDER, STRAINER 16711-MF2-000	1	21	TUBE 17540-KAF-750	1
3	RUB, FUEL PUMP SHOCK 16711-ML7-000	1	22	CAP, FUEL FILLER 17620-KAF-013 (replaces 17620-KAF-003)	1
4	FILTER, FUEL 16900-MG8-003	1	22	CAP, FUEL FILLER 17620-KAF-013	1
5	PETCOCK ASSY. 16950-KAF-000	1	22	CAP, FUEL FILLER 17620-MN8-751	1
6	SCREEN 16952-MR1-005	1	23	RUB, BREATHER SEAL 17646-MN8-700	1
7	TUBE A, FUEL 16955-KAF-000	1	24	RUBBER 84703-425-000	1
8	TUBE C, FUEL 16956-KAF-000	1	25	SCREW-WASHER (5X25) 90020-KV3-000	1
9	TUBE B, FUEL 16957-KAF-000	1	25	SCREW-WASHER (5X25) 90020-KV3-700	1
10	TUBE D, FUEL 16958-KAF-000	1	26	BOLT, SOCKET (4X21) 90074-MT4-000 (replaces 90074-KV3-700)	3
11	O-RING (14.2X1.3) 16958-KM9-005	1	26	BOLT, SOCKET (4X21) 90074-MT4-000	3
12	LEVER, PETCOCK 16963-KAF-670	1	27	BOLT, TANK HINGE 90135-MM4-000	1
13	JOINT, FUEL TUBE 16966-MJ4-670	1	28	NUT, U (6MM) 90301-473-003	1
14	TK SUB, FUEL *B131P* 17500-KAF-670ZA	1	29	COLLAR (6.2X12) 90501-425-000	1
14	TK SUB, FUEL *B131P* 17500-KAF-750ZA	1	30	CLAMP, CANISTER HOSE 90682-SA0-671	5
15	RUB, FUEL TANK PIVOT 17506-MB1-000	2	31	CLIP, CABLE (15MM) 90690-GHB-651	1
16	RUBBER, R. TANK SIDE 17516-KAF-000	1	32	CLIP, TUBE (B8) 95002-02080	1
17	RUBBER, L. TANK SIDE 17517-KAF-000	1	32	CLIP, TUBE (B8) 95002-02080	2
18	MAT A 17521-KAF-000	1	33	CLIP, TUBE (D12.5) 95002-41250-08	1
19	TUBE 17530-KAF-000	1	34	CLIP, TUBE (D13) 95002-41300-08	3
			35	BOLT, FLANGE (6X25)	1

|96001-06025-02

GASKET KIT A

REF#	PART	#REQ	REF#	PART	#REQ
1	GASKET, CYLINDER 12191-KY2-000	1	5	GASKET, HEAD COVER 12391-KAF-000	1
2	SEAL, VALVE STEM 12208-KY2-003	16	6	GASKET, EX. PIPE 18291-MN4-920	4
3	GASKET, CYL HD 12251-MY9-691 (replaces 12251-KY2-005)	1	7	WASHER (6.5MM) 90463-ML7-000	3
3	GASKET, CYL HD 12251-MY9-691	1	8	O-RING (15X2.5) 91302-028-000	2
4	GASKET, BTHR PLATE 12321-MV4-780 (replaces 12321-KY2-000)	1	9	GASKET, WATER JOINT 91307-KT8-003	1
4	GASKET, BTHR PLATE 12321-MV4-780 (replaces 12321-MV4-000)	1	0A	GASKET KIT,A 061A1-KAF-405	1
4	GASKET, BTHR PLATE 12321-MV4-780	1	0A	GASKET KIT,A 061A1-KAF-405 (replaces 061A1-KAF-670)	1

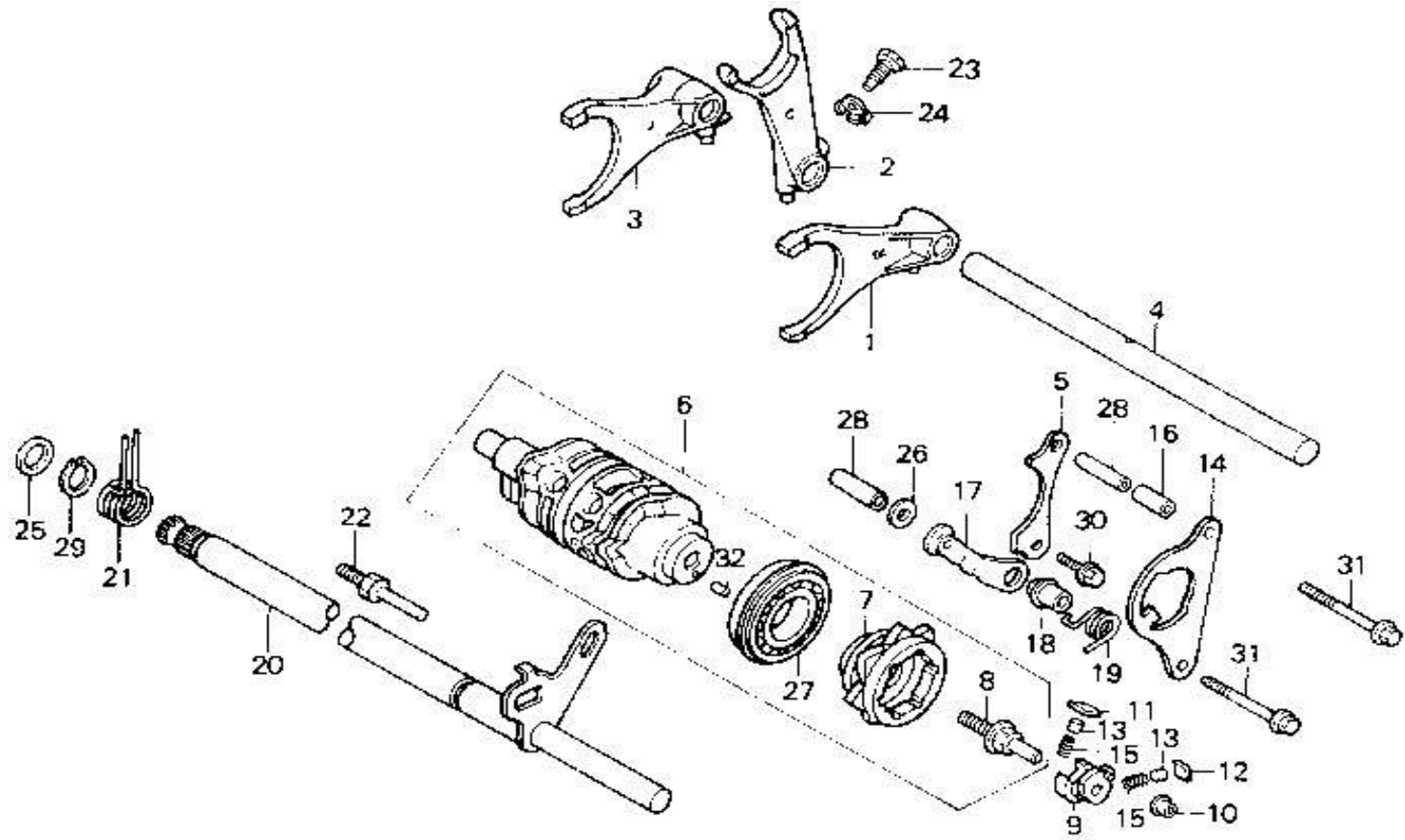
GASKET KIT B

REF#	PART	#REQ	REF#	PART	#REQ
1	GASKET, R. 11396-MY9-000 (replaces 11396-KT8-000)	1	7	O-RING (22X3.0) 91307-425-003	1
1	GASKET, R. 11396-MY9-000 (replaces 11396-MN4-000)	1	8	O-RING (32.95X2.62) 91302-MB0-013	1
1	GASKET, R. 11396-MY9-000 (replaces 11396-MN4-306)	1	9	O-RING (13.8X2.5) 91303-377-000	1
1	GASKET, R. 11396-MY9-000	1	0A	GASKET KIT B	1
2	GASKET, OIL PAN 11398-MN4-920 (replaces 11398-KT8-000)	1	0A	GASKET KIT B 061B1-KY2-405 (replaces 061B1-KY2-000)	1
2	GASKET, OIL PAN 11398-MN4-920 (replaces 11398-MN4-000)	1	10	O-RING (24.4X3.1) 91312-MG7-003 (replaces 91309-425-003)	1
2	GASKET, OIL PAN 11398-MN4-920 (replaces 11398-MN4-306)	1	10	O-RING (24.4X3.1) 91312-MG7-003	1
2	GASKET, OIL PAN 11398-MN4-920	1	11	O-RING (74.5X2) 91310-KT8-003	1
3	GSKT, STARTER COVER 11691-MY9-000 (replaces 11691-KT8-000)	1	12	O-RING (14.8X2.2) 91313-MG7-004 (replaces 91313-MB0-003)	1
3	GSKT, STARTER COVER 11691-MY9-000 (replaces 11691-MN4-000)	1	12	O-RING (14.8X2.2) 91313-MG7-004	1
3	GSKT, STARTER COVER 11691-MY9-000 (replaces 11691-MN4-306)	1	13	O-RING (17X3) 91315-KT8-003	1
3	GSKT, STARTER COVER 11691-MY9-000 (replaces 11691-MN4-920)	1	13	O-RING (17X3) 91315-KT8-003 (replaces 91315-KT8-004)	1
3	GSKT, STARTER COVER 11691-MY9-000	1	14	O-RING (62.4X3.1) 91316-PT6-003 (replaces 91316-PE7-730)	1
4	WASHER (20MM) 90442-ME5-000	2	14	O-RING (62.4X3.1) 91316-PT6-003	1
5	WASHER (8MM) 90442-028-000	12	15	O-RING (29.7X2.4) 91356-425-005 (replaces 91356-425-003)	1
6	WASHER (6.5MM) 90463-ML7-000	1	15	O-RING (29.7X2.4) 91356-425-005	1
7	O-RING (22X3.0)	1	16	WASHER, DRAIN (12MM)	1

|91307-425-003 (replaces 91301-250-000)

|94109-12000

GEARSHIFT DRUM



FR. →

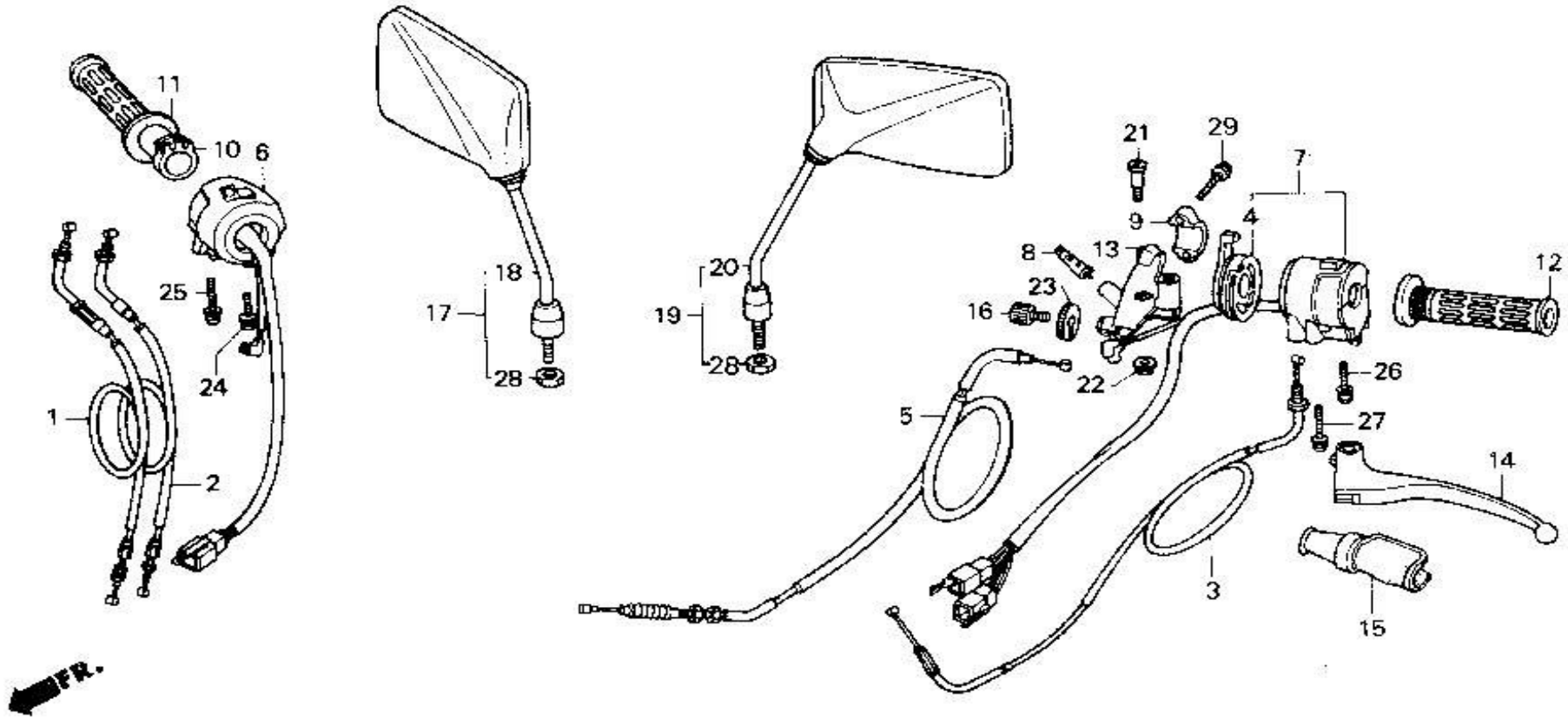
GEARSHIFT DRUM

REF#	PART	#REQ	REF#	PART	#REQ
1	FORK, R. GEARSHIFT 24211-KT8-000	1	14	PLATE, GUIDE 24328-KT8-000	1
2	FORK 24212-KY2-000	1	15	SPRING, PAWL PLUNGER 24329-KA3-740	2
3	FORK, L. GEARSHIFT 24213-KT8-000	1	16	COLLAR 24329-KT8-000	1
4	SHAFT 24261-KT8-010 (replaces 24261-KT8-000)	1	17	STOPPER, DRUM 24430-KT8-000	1
4	SHAFT 24261-KT8-010	1	18	COLLAR, DRUM STOPPER 24434-KT7-000	1
5	PLATE 24307-KT8-000	1	19	SPRING, DRUM STOPPER 24435-KT8-010	1
6	DRUM, GEARSHIFT 24310-KY2-000	1	20	SPINDLE, GEARSHIFT 24610-KY2-000	1
7	CENTER 24312-KY2-300	1	21	SPRING, SHIFT RETURN 24651-KT7-000	1
7	CENTER 24312-KY2-310	1	22	PIN 24652-035-000	1
8	PIN, SHIFTER 24315-HA0-000	1	23	BOLT, SPECIAL (7X18) 90041-MB0-000	1
9	SHIFTER, DRUM 24321-KT8-030 (replaces 24321-KT8-010)	1	24	WASHER, LOCK 90407-MB0-000	1
9	SHIFTER, DRUM 24321-KT8-030 (replaces 24321-KT8-020)	1	25	WASHER (14MM) 90451-155-000	1
9	SHIFTER, DRUM 24321-KT8-030	1	26	WASHER (8MM) 90485-040-000	1
10	COLLAR, SHIFTER 24322-MM4-000	1	27	BEARING (6905) 91007-MN4-003	1
11	PAWL A, RATCHET 24324-KA3-711 (replaces 24324-KA3-710)	1	28	PIN, DOWEL (8X31.5) 91104-KT7-000	2
11	PAWL A, RATCHET 24324-KA3-711	1	29	CIRCLIP (14MM) 94510-14000	1
12	PAWL B, RATCHET 24325-KA3-711 (replaces 24325-KA3-710)	1	30	*95701-06016-08 95701-06016-00	1
12	PAWL B, RATCHET 24325-KA3-711	1	31	BOLT, FLANGE (6X45) 95701-06045-07 (replaces 95701-06045-00)	2
13	PLUNGER, PAWL 24326-KBH-901	2	31	BOLT, FLANGE (6X45) 95701-06045-07	2
13	PLUNGER, PAWL	2	32	ROLLER (4X8)	1

|24326-KBH-901 (replaces 24326-KT7-000)

|96220-40080

HANDLE SWITCH



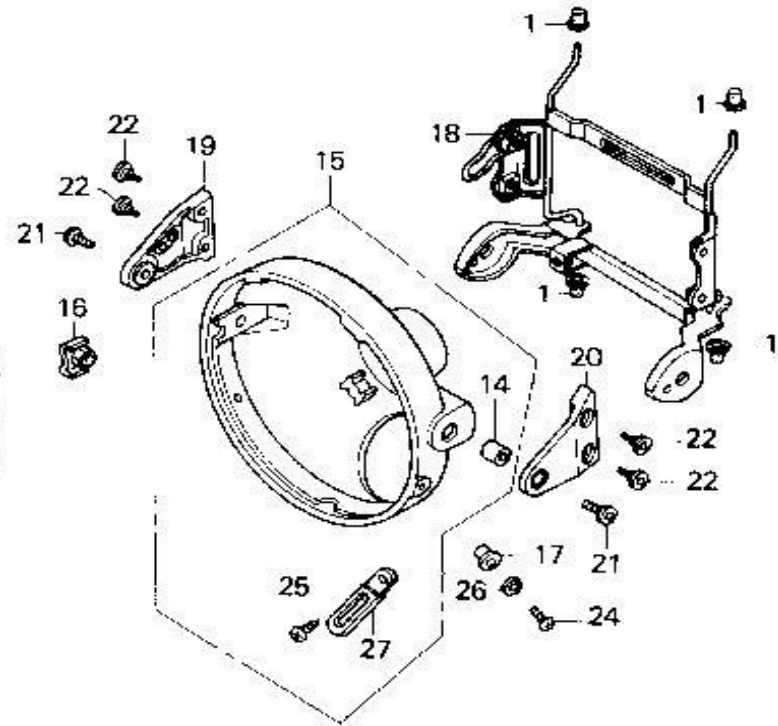
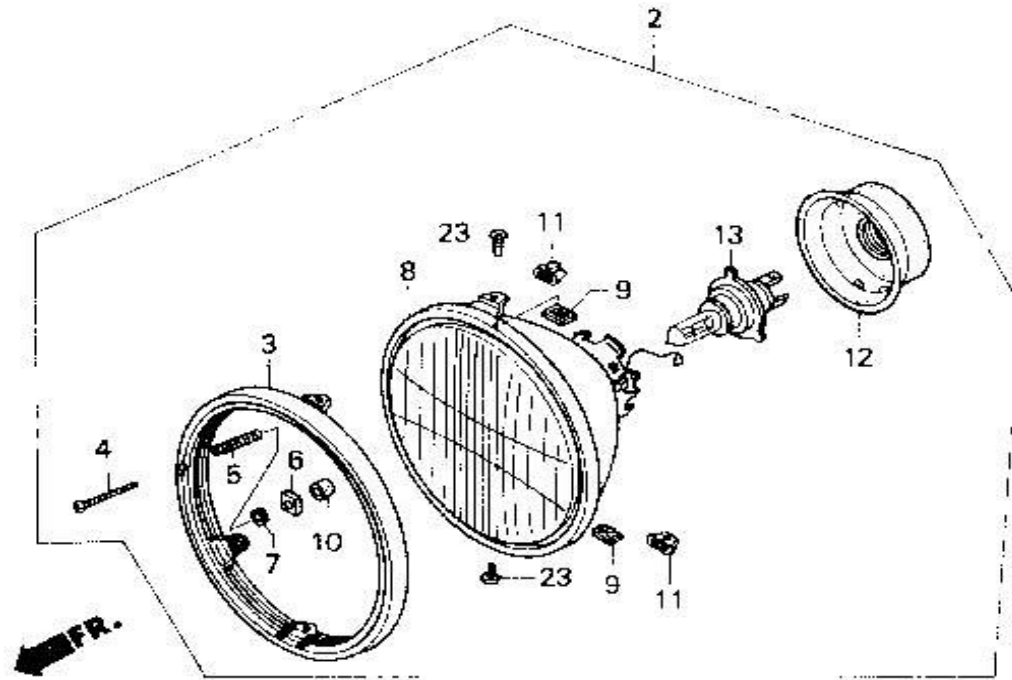
HANDLE SWITCH

REF#	PART	#REQ	REF#	PART	#REQ
1	CABLE A, THROTTLE 17910-KAF-000	1	15	BOOT, HANDLEBAR 53180-425-010	1
2	CABLE A, THROTTLE 17920-KAF-000	1	16	BOLT 53192-349-690	1
3	CABLE, CHOKE 17950-KAF-000	1	17	MIRROR ASSY., R. 88110-KAF-671	1
4	LEVER, CHOKE 17962-MN8-003	1	19	MIRROR ASSY., L. 88120-KAF-671	1
5	CABLE, CLUTCH 22870-KAF-000	1	21	BOLT, L. 90113-438-000	1
6	SWITCH, STARTER STOP 35130-KAF-670	1	22	NUT, FLANGE (6MM) 94050-06070 (replaces 90203-PD1-000)	1
7	SWITCH, TURN SIGNAL 35200-KAF-670	1	22	NUT, FLANGE (6MM) 94050-06070	1
8	SWITCH, FR. LEVER 35330-413-003	1	23	NUT, FIXING 90321-KT7-760	1
9	HOLDER 45517-166-006	1	24	SCREW-WASHER (5X20) 93892-05020-07	1
10	PIPE, THROTTLE GRIP 53141-KT8-710	1	25	SCREW-WASHER (5X25) 93892-05025-07	1
11	GRIP, R. HANDLE 53165-ML7-010	1	26	SCREW-WASHER (5X35) 93892-05035-07	1
12	GRIP, L. HANDLE 53166-ML7-000	1	27	SCREW-WASHER (5X45) 93892-05045-07	1
13	BRACKET, HANDLEBAR 53172-KT7-750	1	28	NUT, HEX. (10MM) 94031-10070	2
14	LEVER, L. HANDLEBAR 53178-KV0-000	1	29	BOLT, FLANGE (6X25) 96001-06025-07	2

HANDLEBAR

REF#	PART	#REQ	REF#	PART	#REQ
1	GUIDE, CABLE 17908-KT7-000	2	10	RING 53108-MJ0-000	2
2	LOCK SET 35010-KAF-671 (replaces 35010-KAF-670)	1	11	RUBBER B 53109-MM5-000	2
2	LOCK SET 35010-KAF-671	1	12	HANDLEBAR, L. 53150-KAF-670	1
2	LOCK SET 35010-KAF-752 (replaces 35010-KAF-750)	1	13	CAP, STEERING STEM 53232-MJ4-670	1
3	SWITCH, COMBINATION 35100-KAF-672 (replaces 35100-KAF-671)	1	14	BRIDGE, FORK TOP 53300-KAF-670	1
4	BASE, CONTACT 35101-KAF-670	1	15	EMBLEM, WING MARK 86150-MR8-300	1
5	KEY, BLANK (TYPE1) 35121-KW3-771	(1)	16	BOLT, SOCKET (8MM) 90100-KV3-700	2
5	KEY, BLANK (TYPE2) 35122-KW3-771	(1)	17	BOLT, SOCKET (7X46) 90151-MB2-000	2
6	HANDLEBAR 53100-KAF-670	1	18	SCREW, OVAL (6X50) 90191-MJ0-000	2
7	WEIGHT, HANDLEBAR 53105-KV3-000	2	19	NUT, STEERING STEM 90304-MJ4-670	1
8	WEIGHT, HANDLEBAR 53105-MN4-010 (replaces 53105-MN4-000)	2	20	SCREW, TAP (3X16) 91059-KY2-711	3
8	WEIGHT, HANDLEBAR 53105-MN4-010	2	20	SCREW, TAP (3X16) 91059-KY2-711 (replaces 91059-MK4-601)	3
9	RUB, HANDLE WEIGHT 53107-MJ0-000	2	21	BOLT, SOCKET (8X35) 96700-08035-07	2

HEADLIGHT

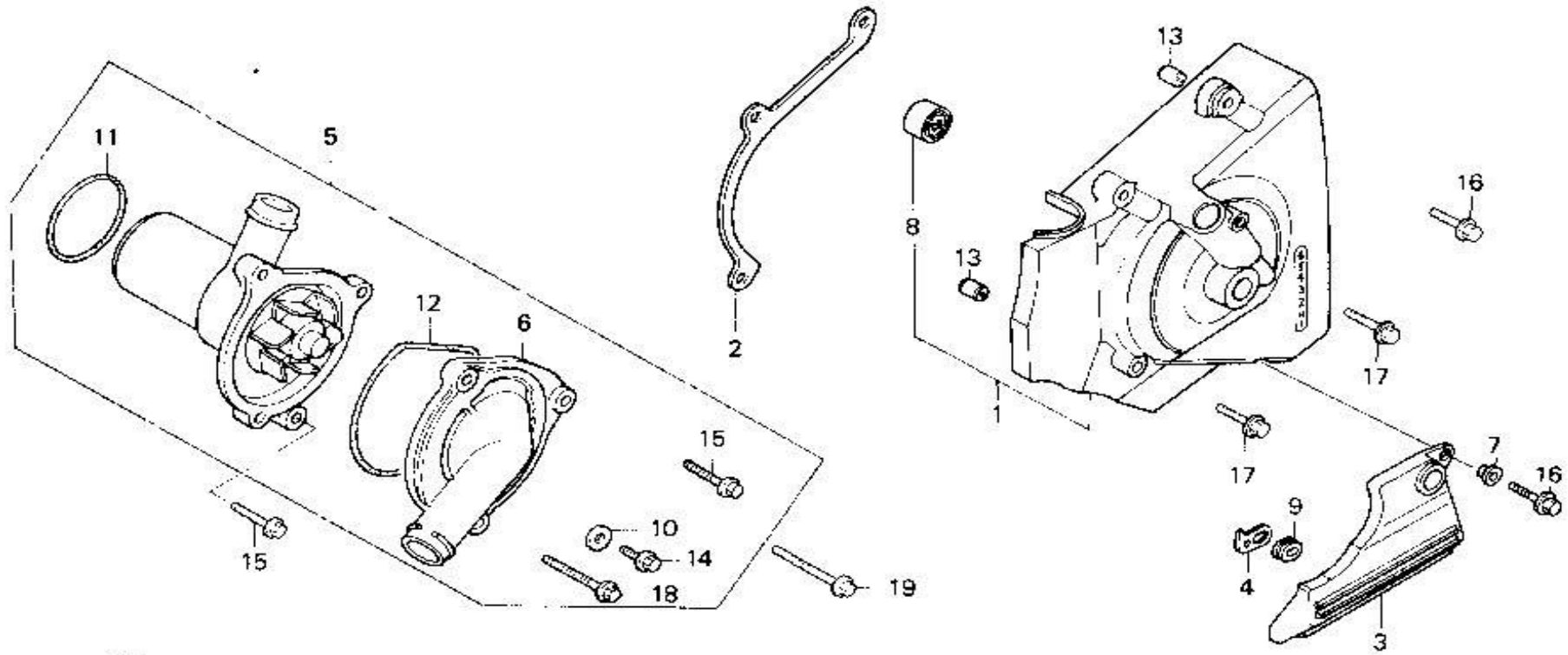


HEADLIGHT

REF#	PART	#REQ	REF#	PART	#REQ
1	RUBBER 19113-MB1-870	4	13	BULB (12V60/55W) 34901-MC7-601AH (replaces 34901-MC7-601)	1
2	HDLT (12V 60/55W) 33100-MN8-673 (replaces 33100-MN8-671)	1	13	BULB (12V60/55W) 34901-MC7-601AH	1
2	HDLT (12V 60/55W) 33100-MN8-673 (replaces 33100-MN8-672)	1	14	COLR, HEADLIGHT CASE 61302-KE5-000	2
2	HDLT (12V 60/55W) 33100-MN8-673	1	15	CASE, HEADLIGHT 61302-MK4-630	1
3	RIM, HEADLIGHT 33101-MN8-671	1	16	NUT, HEADLIGHT CASE 61303-MK4-630	2
4	SCREW, BEAM ADJ. 33103-MN8-671	1	17	COLLAR 61304-379-690	2
5	SPRING 33107-MN8-671	1	18	STAY, HEADLIGHT 61311-KAF-670	1
6	NUT 33117-001-023	1	19	PLATE, R. HEADLIGHT 61312-KAF-000	1
7	WASHER 33119-371-003	1	20	PLATE, L. HEADLIGHT 61313-KAF-000	1
8	HEADLIGHT UNIT 33120-KV0-703 (replaces 33120-KV0-701)	1	21	BOLT, RR. (8X22) 90105-ML0-730	2
8	HEADLIGHT UNIT 33120-KV0-703	1	22	SCREW, PAN (6X14) 90113-MM5-000	4
8	HEADLIGHT UNIT 33120-KV0-703 (replaces 33120-MN8-671)	1	23	SCREW, PAN (5X8) 93500-05008-0H	2
9	NUT, UNIT HOLDER 33128-292-670	2	24	SCREW, PAN (5X16) 93500-05016-0G	2
10	COVER, SCREW 33136-426-830	1	25	SCREW, TAP (4X10) 93903-34220	3
11	COVER 33137-MF5-841	2	26	WASHER, SPRING (5MM) 94111-05700	2
12	COVER, RUBBER 33112-MM9-013	1	27	CLIP (4X100) 94591-41000	3
12	COVER, RUBBER	1			

33112-MM9-013 (replaces 33180-MC5-003)

LEFT REAR COVER

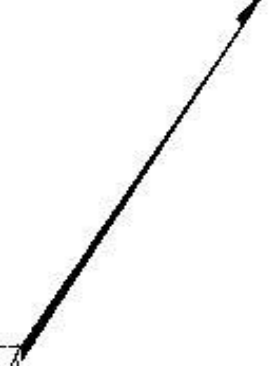
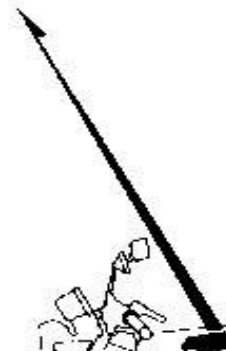
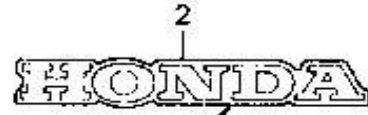
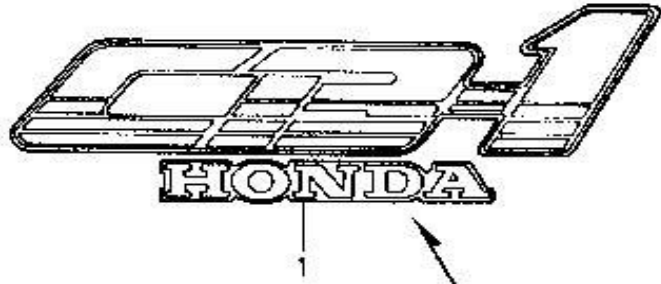


FR. ←

LEFT REAR COVER

REF#	PART	#REQ	REF#	PART	#REQ
1	COVER ASSY., L. RR. 11360-KAF-750	1	10	WASHER (6.5MM) 90463-ML7-000	1
2	PROTECTOR, CASE 11365-KY2-000	1	11	O-RING (32.95X2.62) 91302-MB0-013	1
3	COVER, L. (LOWER) 11370-KAF-750	1	12	O-RING (74.5X2) 91310-KT8-003	1
4	STAY, L. COVER 11372-KAF-000	1	13	PIN, DOWEL (8X14) 94301-08140	2
5	WATER PUMP ASSY. 19200-KAF-010 (replaces 19200-KAF-000)	1	14	BOLT, FLANGE (6X12) 96001-06012-00	1
5	WATER PUMP ASSY. 19200-KAF-010	1	15	BOLT, FLANGE (6X25) 96001-06025-00	2
6	COVER, WATER PUMP 19221-KAF-000	1	16	BOLT, FLANGE (6X35) 96001-06035-00	2
7	COLLAR 33715-GB0-930	1	17	BOLT, FLANGE (6X40) 96001-06040-00	2
7	WASHER (6MM) 90512-440-980	1	18	BOLT, FLANGE (6X45) 96001-06045-00	1
8	JOINT, SPEEDOMETER 44808-MR7-013	1	19	BOLT, FLANGE (6X65) 96001-06065-00	1
9	GROMMET, A/CLNR HSG 83551-GE2-000	1			

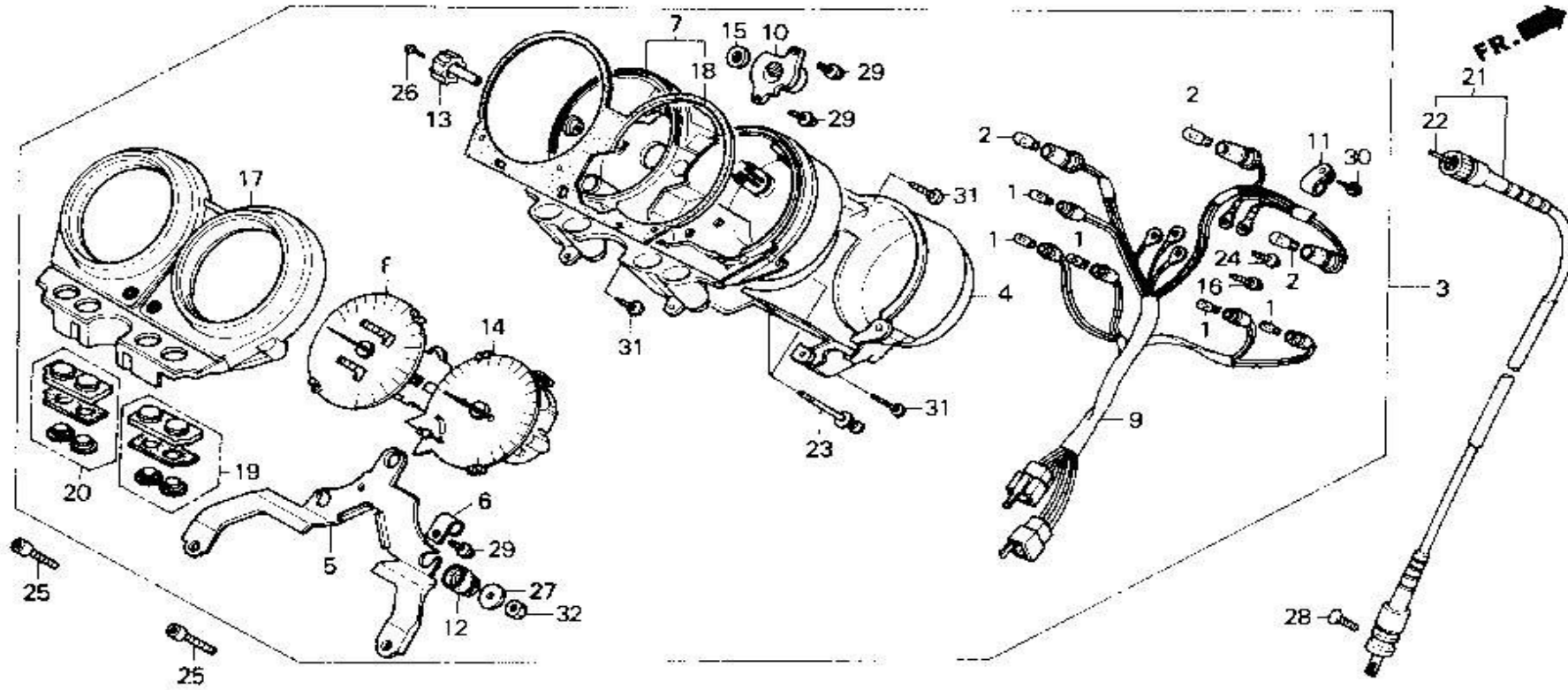
MARK



MARK**MANUAL**

REF#	PART	#REQ	REF#	PART	#REQ
1	MARK (TYPE1) 87120-KAF-670ZA	2	200	FH, CB400F'89-'90 14KAFKM	1
2	MARK, RR. (TYPE1) 87122-KAF-670ZA	1			

METER



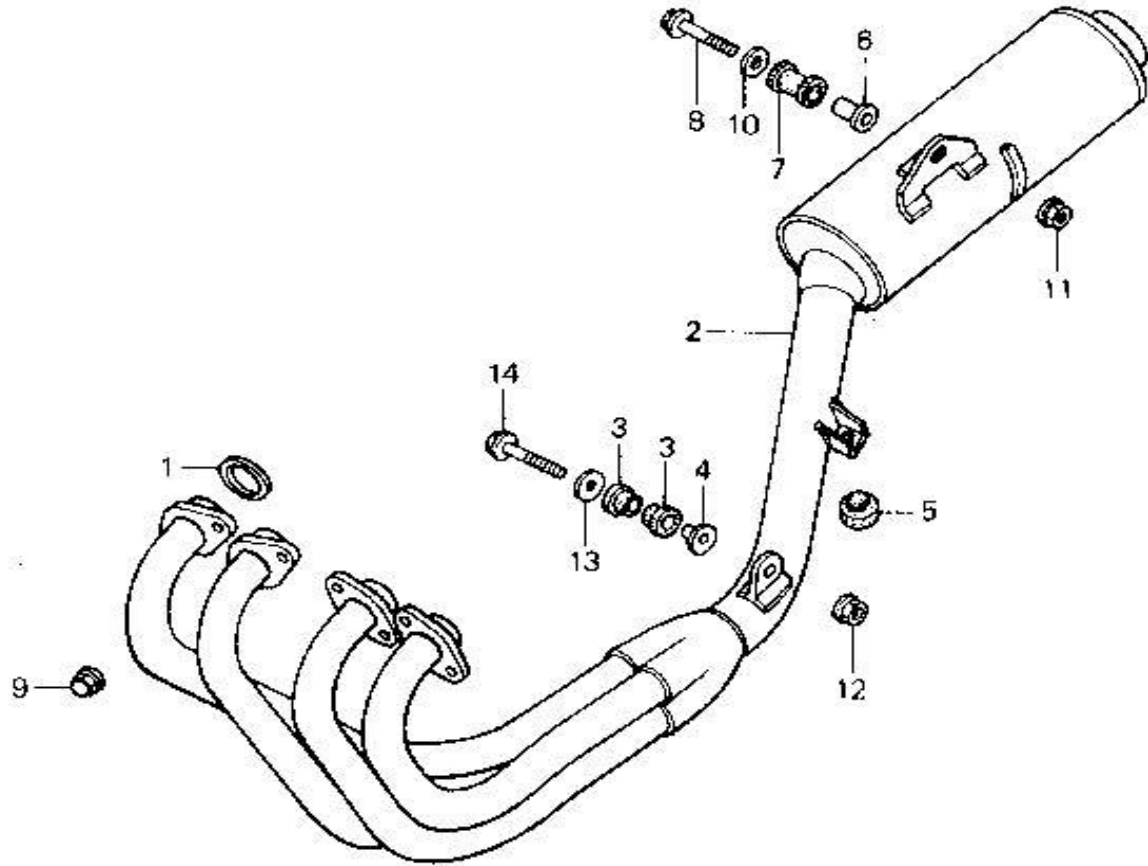
METER

REF#	PART	#REQ	REF#	PART	#REQ
1	BULB (12V1.7W) 34908-MG9-951	5	18	GASKET 37613-KAF-008	1
2	BULB (12V1.7W) 34909-KW3-003	3	19	LENS ASSY., R. SMOKE 37616-KAF-671	1
3	METER, COMBINATION 37100-KAF-671	1	20	LENS ASSY., L. SMOKE 37617-KAF-008	1
4	COVER 37110-KAF-671	1	21	CABLE, SPEEDOMETER 44830-KAF-000	1
5	BRACKET ASSY. 37120-KBH-901 (replaces 37120-KAF-008)	1	22	CABLE (INNER) 44831-437-670	1
5	BRACKET ASSY. 37120-KBH-901	1	22	CABLE (INNER) 44831-437-670 (replaces 44831-GW6-300)	1
6	CLAMP 37121-ML7-671	1	23	SCREW, TAPPING (4X3) 90133-SG0-A01 (replaces 90032-ML7-671)	2
7	CASE ASSY. (INNER) 37130-KAF-901 (replaces 37130-KAF-008)	1	23	SCREW, TAPPING (4X3) 90133-SG0-A01	2
7	CASE ASSY. (INNER) 37130-KAF-901	1	24	SCREW-WASHER (3X12) 90108-GN2-008	2
8	SPEEDOMETER ASSY. 37200-KAF-671	1	25	BOLT, SOCKET (6X16) 90117-KAF-000	2
9	SOCKET 37205-KAF-671	1	26	SCREW, PAN (2X6) 90158-KM7-911	1
10	BOSS, ELBOW 37211-MR7-008	1	27	WASHER B 90525-030-000	3
11	CLAMP 37215-KAF-008	1	28	SCREW, OVAL (5X20) 93700-05020-0A	1
12	RUB, METER SETTING 37215-ML0-008	3	29	SCREW-WASHER (4X10) 93893-04010-00	5
13	KNOB, TRIP METER 37220-445-008	1	29	SCREW-WASHER (4X10) 93893-04010-00 (replaces 93893-04010-10)	5
14	METER ASSY. 37250-KAF-008	1	30	SCREW, TAP (4X12) 93903-24320	1
15	SEAL 37264-MR7-008	1	31	SCREW, TAP (4X16) 93903-24480	6
16	SCREW-WASHER (3X22) 37305-KE5-008	3	32	NUT, HEX. (6MM) 94001-06200-0S (replaces 94001-06000-0S)	3
17	CASE ASSY. (UPPER)	1	32	NUT, HEX. (6MM)	3

|37610-KAF-008

|94001-06200-0S

MUFFLER

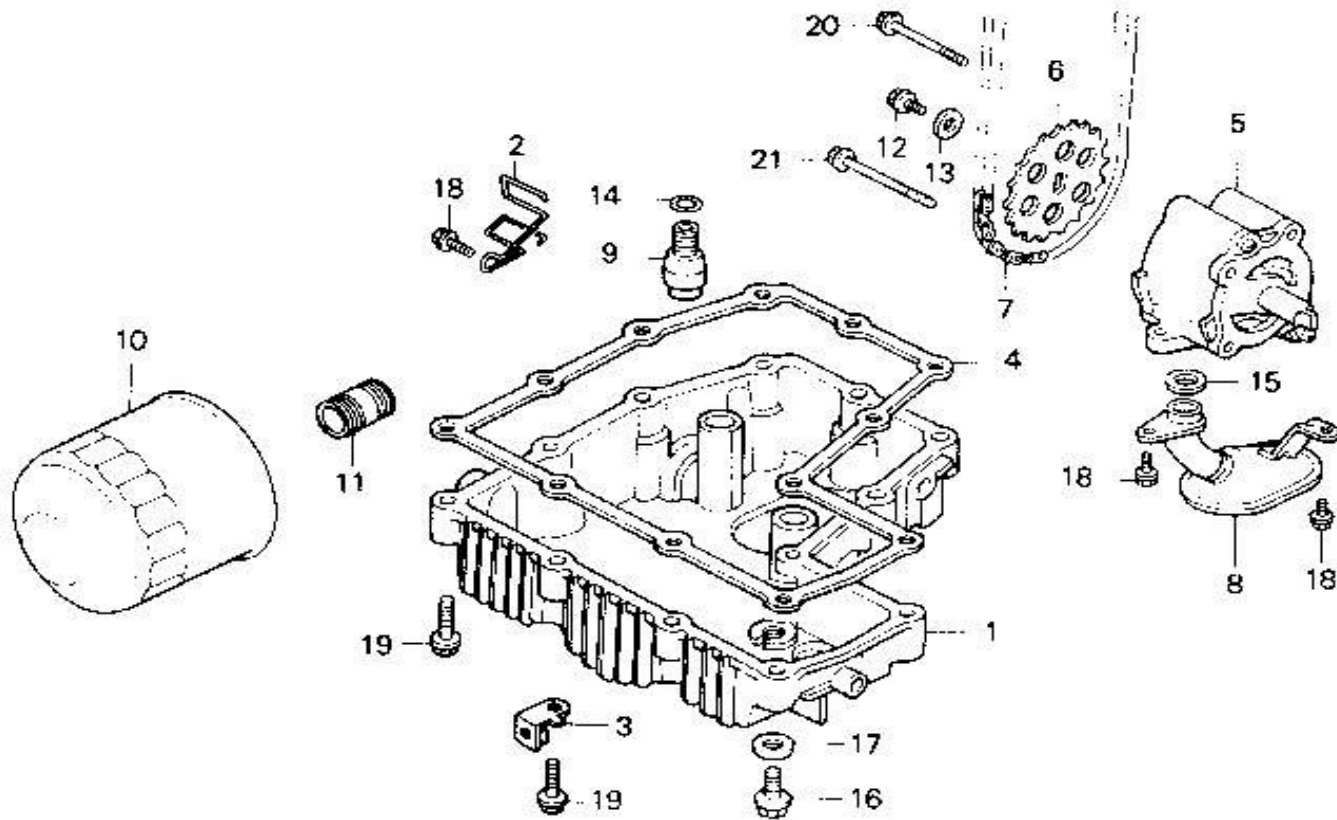


FR.

MUFFLER

REF#	PART	#REQ	REF#	PART	#REQ
1	GASKET, EX. PIPE 18291-MN4-920	4	8	BOLT, FLANGE (8X50) 90108-MB2-000	1
2	MUFFLER 18300-KAF-671	1	9	NUT, CAP (6MM) 90304-438-000	8
3	RUBBER, MUFF MT 18421-KAF-000	2	10	WASHER (8.3MM) 90501-KAF-000	1
4	COLLAR 18422-MB0-000	1	11	NUT, FLANGE (8MM) 94050-08000	1
5	RUB, STAND STOPPER 50524-MG9-000	1	12	NUT, FLANGE (8MM) 94050-08070	1
6	COLLAR 50607-KK6-000	1	13	WASHER, PLAIN (8MM) 94103-08700	1
7	RUB, MUFFLER SETTING 50608-KK6-000	1	14	BOLT, FLANGE (8X45) 95801-08045-07	1

OIL PUMP

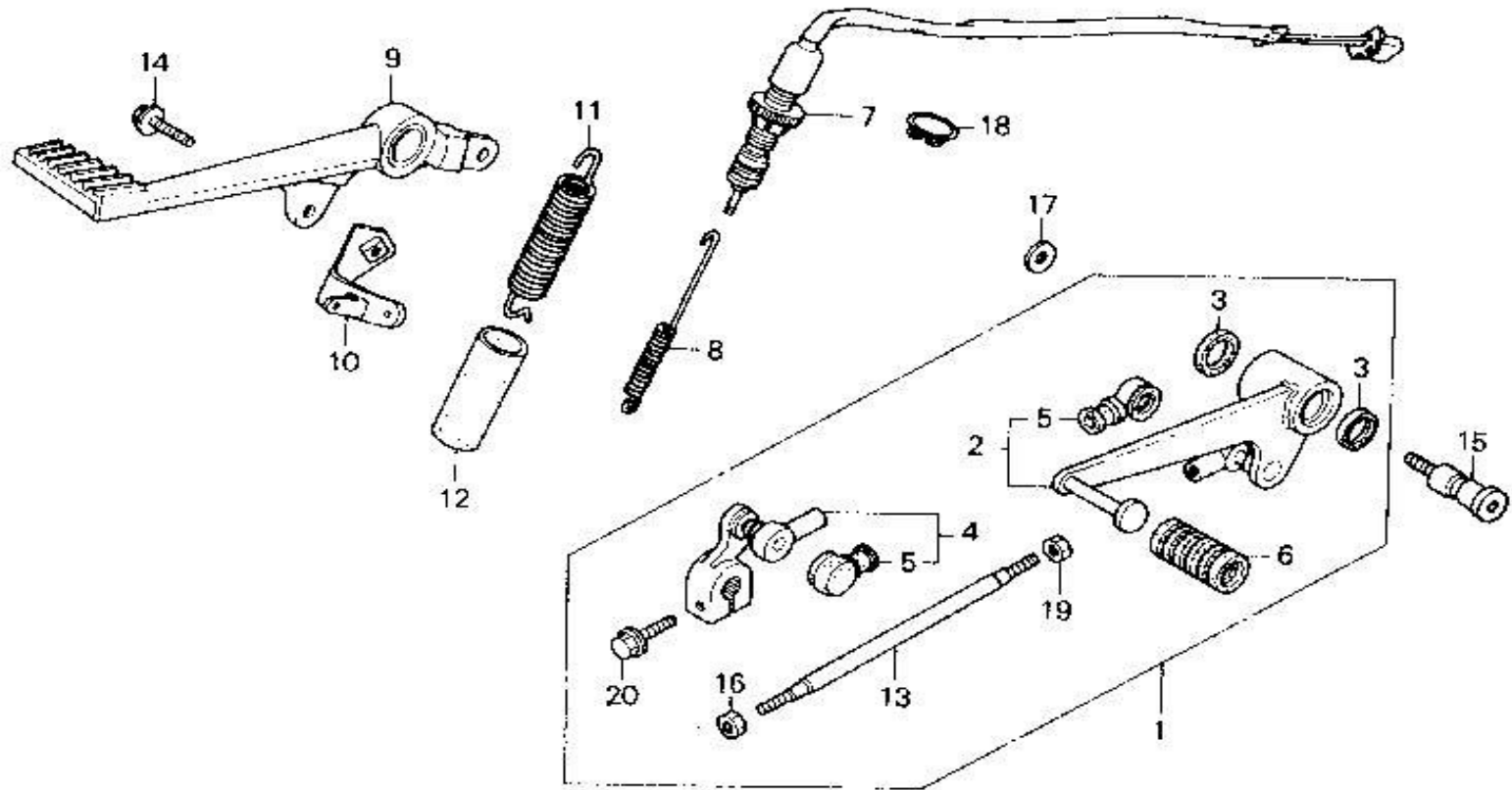


FR.

OIL PUMP

REF#	PART	#REQ	REF#	PART	#REQ
1	PAN, OIL 11210-KAF-305 (replaces 11210-KAF-000)	1	10	FILTER, OIL 15410-MM9-013 (replaces 15410-MM9-003)	1
1	PAN, OIL 11210-KAF-305	1	10	FILTER, OIL 15410-MM9-013	1
2	HOOK, DRAIN TUBE 11215-KAF-010 (replaces 11215-KAF-000)	1	11	BOSS, OIL FILTER 90019-MB0-000	1
2	HOOK, DRAIN TUBE 11215-KAF-010	1	12	BOLT, HEX. (6X16) 90021-KE8-010	1
3	STAY, AIR PIPE 11217-KAF-000	1	13	WASHER (6X2.3) 90488-MB0-000	1
4	GASKET, OIL PAN 11398-MN4-920 (replaces 11398-KT8-000)	1	14	O-RING (14.8X2.2) 91313-MG7-004 (replaces 91313-MB0-003)	1
4	GASKET, OIL PAN 11398-MN4-920 (replaces 11398-MN4-000)	1	14	O-RING (14.8X2.2) 91313-MG7-004	1
4	GASKET, OIL PAN 11398-MN4-920 (replaces 11398-MN4-306)	1	15	O-RING (17X3) 91315-KT8-003	1
4	GASKET, OIL PAN 11398-MN4-920	1	15	O-RING (17X3) 91315-KT8-003 (replaces 91315-KT8-004)	1
5	PUMP ASSY., OIL 15100-KAF-010 (replaces 15100-KAF-000)	1	16	BOLT, DRAIN (12MM) 92800-12000	1
5	PUMP ASSY., OIL 15100-KAF-010	1	17	WASHER, DRAIN (12MM) 94109-12000	1
6	SPROCKET (23T) 15134-KT8-000	1	18	*95701-06016-08 95701-06016-00	3
7	CHAIN (25H-62) 15141-KT8-003	1	19	BOLT, FLANGE (6X28) 95701-06028-00	12
8	STRAINER, OIL 15153-KT8-000	1	20	BOLT, FLANGE (6X50) 95701-06050-00	1
9	VALVE ASSY., RELIEF 15220-MJ6-000	1	21	BOLT, FLANGE (6X70) 95701-06070-00	1

PEDAL

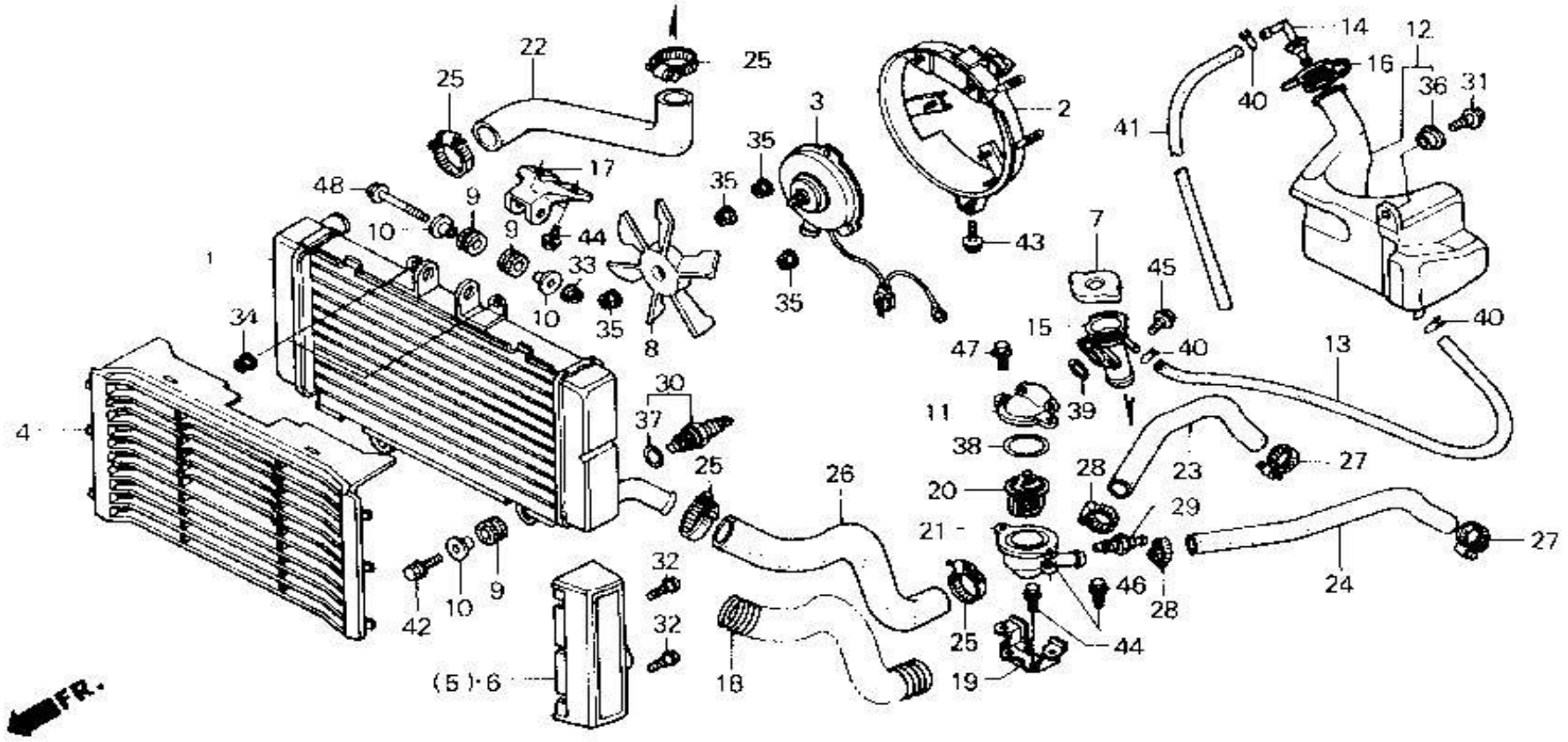


←FR.

PEDAL

REF#	PART	#REQ	REF#	PART	#REQ
1	PEDAL, GEARSHIFT 24700-KAF-670	1	12	TUBE 46515-KS6-700	1
2	PEDAL, GEARSHIFT 24705-KAF-670	1	13	BOLT, TIE ROD 90065-KAF-670	1
3	RUBBER, DUST SEAL 24706-MK3-770	2	14	BOLT, FLANGE (8X18) 90106-MR8-000	1
4	ARM, CHANGE 24710-KAF-670	1	14	BOLT, FLANGE (8X18) 90132-MR8-000	1
5	COVER, DUST 24724-422-000	2	15	BOLT, CHANGE PIVOT 90115-KAF-000	1
6	RUBBER, CHANGE PEDAL 24781-KR3-770	1	16	NUT 90201-700-000	1
7	SWITCH, RR. STOP 35350-KA2-405	1	17	WASHER (8MM) 90514-921-000	1
7	SWITCH, RR. STOP 35350-KA2-405 (replaces 35350-MR7-000)	1	19	NUT, HEX. (6MM) 94002-06020-0S	1
8	SPRING, STOP SWITCH 35357-KAF-000	1	20	BOLT, FLANGE (6X20) 95701-06020-00 (replaces 95700-06020-00)	1
9	PEDAL, BRAKE 46500-KAF-000	1	20	BOLT, FLANGE (6X20) 95701-06020-00	1
10	HOOK, RETURN SPRING 46502-KAF-000	1	20	BOLT, FLANGE (6X20) 95701-06020-00 (replaces 95900-06020-00)	1
11	SPRING 46514-KAF-000	1			

RADIATOR



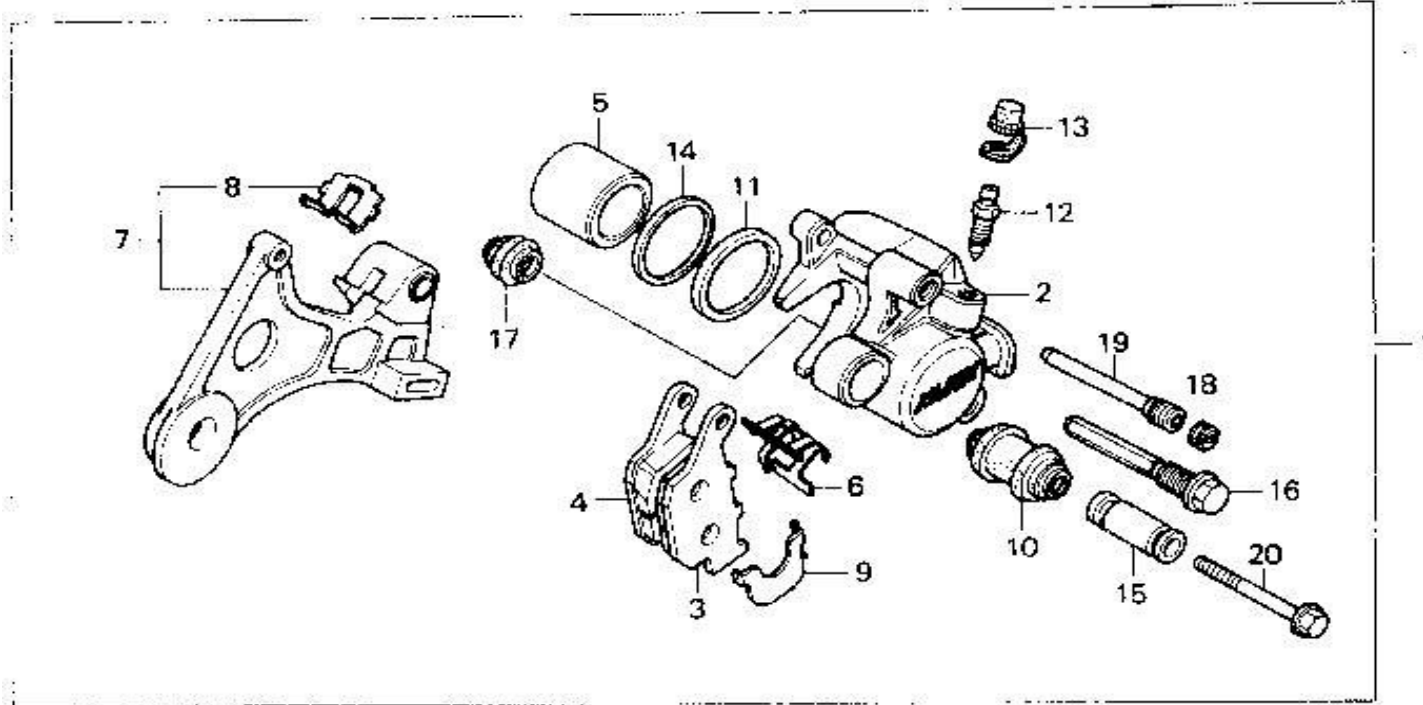
RADIATOR

REF#	PART	#REQ	REF#	PART	#REQ
1	RADIATOR	1	26	HOSE, RADIATOR	1
2	SHROUD	1	27	CLAMP (25MM)	2
3	MOTOR ASSY., FAN	1	28	CLAMP B, WATER HOSE	2
	19030-KAF-013 (replaces 19030-KAF-003)			19517-MB6-000	
3	MOTOR ASSY., FAN	1	29	SENDING UNIT	1
	19030-KAF-013			37750-PC1-004	
4	GRILLE, RADIATOR	1	30	SWITCH ASSY., THERMO	1
	19032-KAF-670			37760-MR1-003	
5	COVER, R.	1	31	BOLT, FLANGE (6MM)	1
	19033-KAF-670			90111-162-000	
6	COVER, L.	1	32	SCREW (4X8)	4
	19035-KAF-670			90113-SB3-000	
7	CAP	1	33	NUT, FLANGE (6MM)	1
	19037-KA4-701			94050-06070 (replaces 90203-PD1-000)	
8	FAN, COOLING	1	33	NUT, FLANGE (6MM)	1
	19040-MF5-751			94050-06070	
9	RUBBER	4	34	NUT, SERRATE (5MM)	2
	19051-KA3-830			90315-KAF-003	
10	COLLAR	4	35	NUT, SERRATE (5MM)	4
	19052-MN8-000			90315-MK3-003	
11	COVER, THERMOSTAT	1	36	WASHER (6X9)	1
	19060-KT8-000			90513-323-000	
12	TK, RADIATOR RESERVE	1	37	O-RING (13.5X1.4)	1
	19101-KAF-000			91307-PH7-660 (replaces 91307-611-000)	
13	TUBE	1	37	O-RING (13.5X1.4)	1
	19105-KAF-000			91307-PH7-660	
14	ADAPTER, RESERVE CAP	1	38	O-RING (47.5X2)	1
	19106-GE2-000			91311-KE8-000	
15	NECK, FILLER	1	39	O-RING (23X2.4)	1
	19106-KT8-711			94608-30000	
16	CAP, RESERVE TANK	1	40	CLIP, TUBE (C11)	3
	19108-KK4-000			95002-70000	
17	STAY, RADIATOR	1	41	BULK HOSE (7X3000)	1
	19120-KAF-000			95005-70003-30M	
18	GUARD, RADIATOR HOSE	1	42	BOLT, FLANGE (6X25)	2
	19121-KAF-000			95701-06025-07	
19	STAY, THERMOSTAT	1	43	BOLT, FLANGE (6X10)	1
	19130-KAF-000			96001-06010-00	
20	THERMOSTAT ASSY.	1	44	BOLT, FLANGE (6X10)	4
	19300-ML7-003			96001-06010-07	
21	CASE, THERMOSTAT	1	45	BOLT, FLANGE (6X16)	2
	19311-KT8-000			96001-06016-07	
22	HOSE, RADIATOR	1	46	BOLT, FLANGE (6X18)	2
	19501-KAF-000			96001-06018-00	
23	HOSE, R. WATER	1	47	BOLT, FLANGE (6X20)	2
	19502-KAF-000			96001-06020-07	
24	HOSE, L. WATER	1	48	BOLT, FLANGE (6X55)	1
	19503-KAF-000			96001-06055-07	
25	CLAMP (24-32MM)	4			
	19516-ML7-691 (replaces 19503-ML0-003)				
25	CLAMP (24-32MM)	4			

19516-ML7-691

REAR BRAKE CALIPER

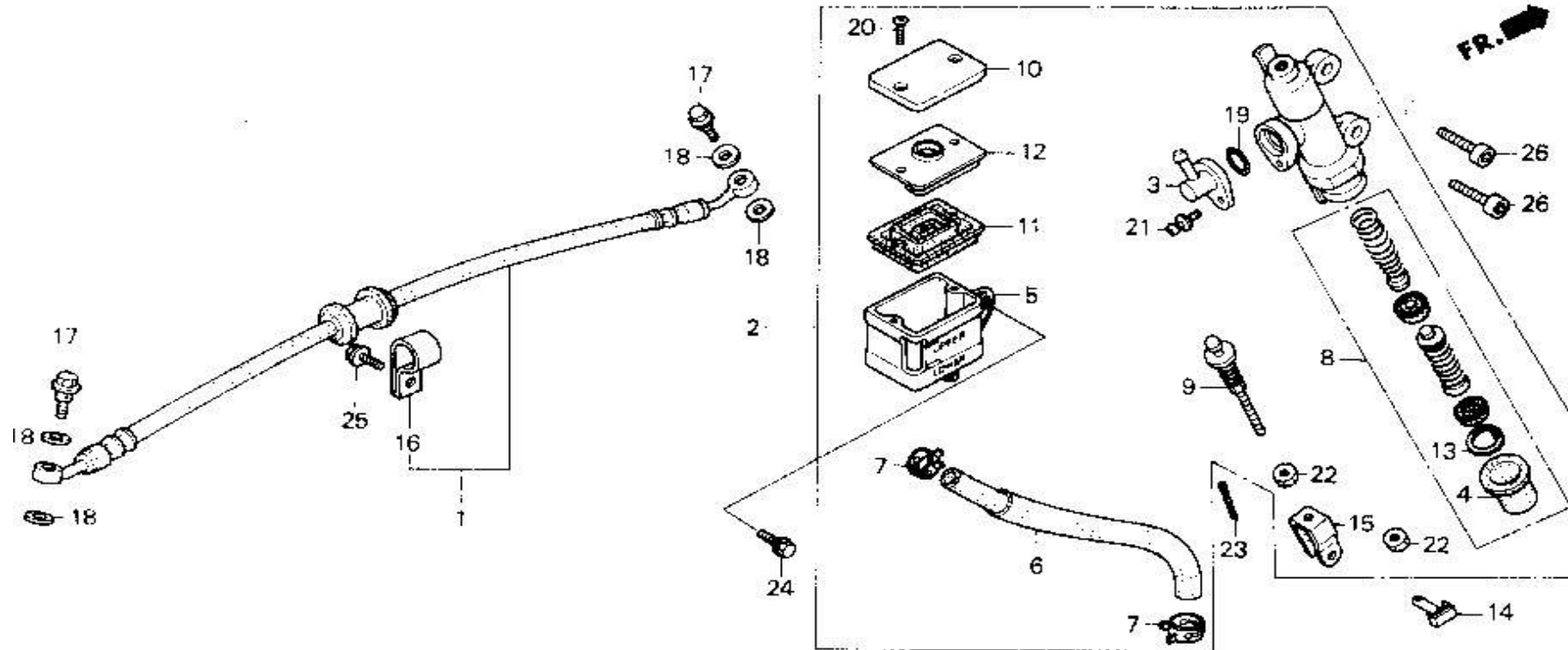
FR. →



REAR BRAKE CALIPER

REF#	PART	#REQ	REF#	PART	#REQ
1	CALIPER ASSY., RR. 43100-KAF-671	1	13	CAP, BLEEDER 43353-461-771	1
2	BODY, RR. CALIPER 43101-KAF-671	1	14	DUST SEAL 45109-443-870	1
3	PAD A, RR. 43105-KT7-762	1	15	SLEEVE 45111-MA3-006	1
5	PISTON 43107-KT7-761	1	16	PIN, BOLT 45131-MN9-006	1
6	SPRING, PAD 43108-KT7-761	1	17	BOOT B 45133-MA3-006	1
7	BRACKET, RR. 43110-KAF-006	1	18	PLUG, PIN 45203-MG3-016 (replaces 45203-MG3-006)	1
8	RETAINER 43112-KT7-761	1	18	PLUG, PIN 45203-MG3-016	1
9	SHIM A 43114-KT7-761	1	19	PIN, HANGER 45215-KA3-732 (replaces 45215-KA3-731)	1
10	BOOT, SLEEVE 43132-KT7-761	1	19	PIN, HANGER 45215-KA3-732	1
11	SEAL, PISTON (38MM) 43209-371-006	1	20	BOLT, FLANGE (8X49) 90180-MA3-006	1
12	SCREW, BLEEDER 43352-568-003	1			


REAR BRAKE MASTER CYLINDER



REAR BRAKE MASTER CYLINDER

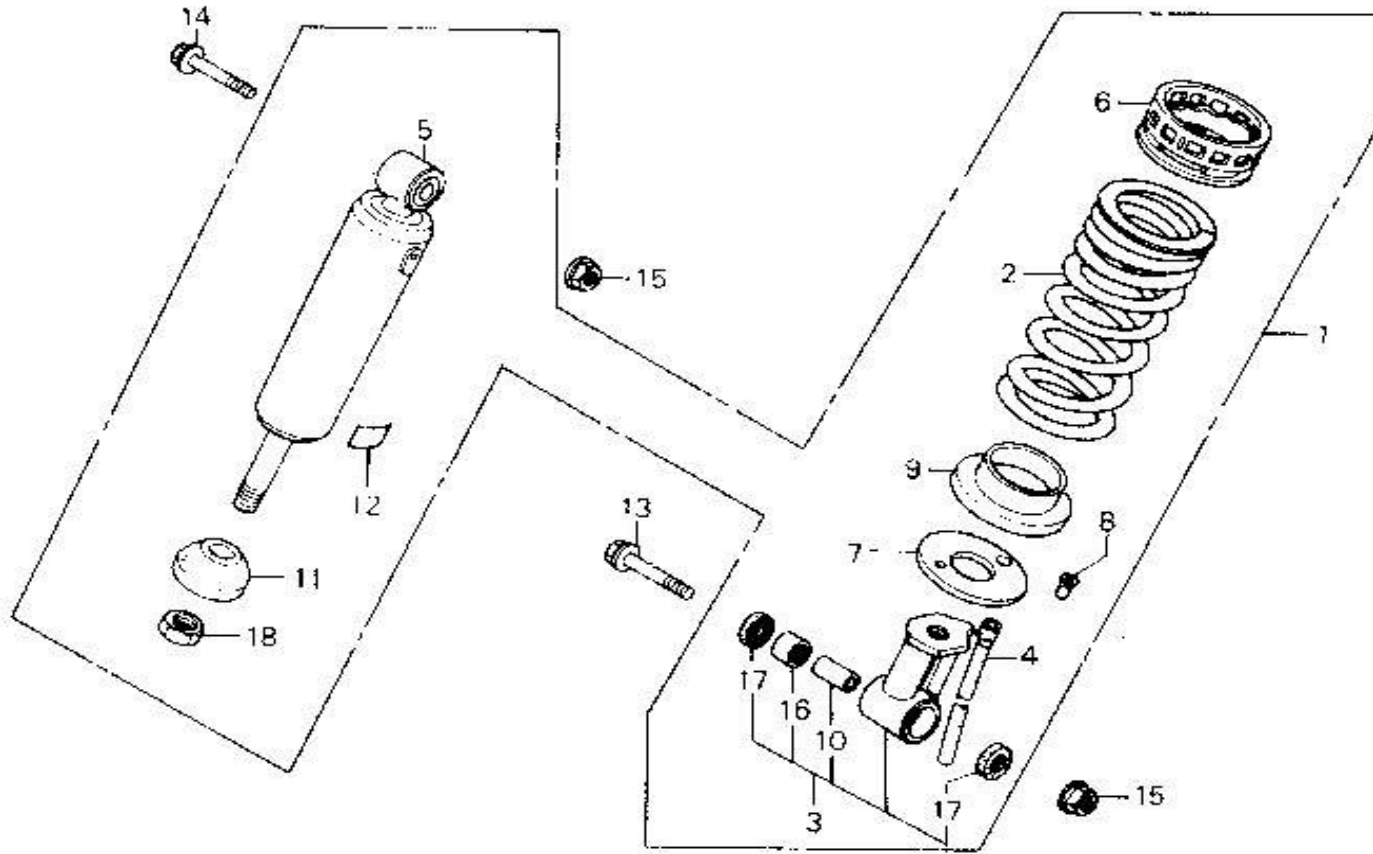
REF#	PART	#REQ	REF#	PART	#REQ
1	HOSE, RR. BRAKE 43310-KAF-761 (replaces 43310-KAF-003)	1	15	JOINT, BRAKE ROD 46504-KAF-006	1
1	HOSE, RR. BRAKE 43310-KAF-761	1	16	CLAMP, BRAKE HOSE 52115-ML8-670	1
2	MASTER CYLINDER, RR. 43500-KAF-671	1	17	BOLT, OIL (10X22) 90145-MS9-612 (replaces 90145-MS9-611)	2
3	CONNECTOR 43503-MB2-006	1	17	BOLT, OIL (10X22) 90145-MS9-612	2
4	BOOT 43504-MB2-006	1	18	WASHER, OIL BOLT 90545-300-000	4
5	CUP, OIL 43511-KT8-006	1	19	O-RING (14.8X2.4) 91212-422-006	1
6	HOSE 43512-KAF-006	1	20	SCREW, FLAT (4X40) 93600-04040-1G	2
6	HOSE 43512-KAF-671	1	21	SCREW-WASHER (4X12) 93893-04012-07	1
7	CLAMP 43514-445-771	2	21	SCREW-WASHER (4X12) 93893-04012-07 (replaces 93893-04012-17)	1
8	PISTON SET 43520-MB2-305	1	22	NUT, HEX. (8MM) 94002-08000-0S	2
9	ROD, PUSH 43530-KV3-701	1	23	PIN, SPLIT (2.0X15) 94201-20150	1
10	CAP, MASTER CYLINDER 45513-KK1-771	1	24	*95701-06016-08 95701-06016-00	1
11	DIAPHRAGM 45520-MG7-006	1	24	*95701-06016-08 95701-06016-00 (replaces 95900-06016-00)	1
12	PLATE, DIAPHRAGM 45521-HA2-006	1	25	BOLT, FLANGE (6X12) 96001-06012-07	1
13	CIRCLIP 46182-500-013	1	26	BOLT, SOCKET (6X20) 96600-06020-00	2
14	PIN D, JOINT 95015-54000 (replaces 46503-KW3-000)	1			
14	PIN D, JOINT	1			

95015-54000

A horizontal line with several vertical tick marks. The tick marks are located at approximately 25%, 45%, 50%, 55%, and 80% of the line's length. The tick mark at 50% is a double line, while the others are single lines.

REAR SHOCK ABSORBER

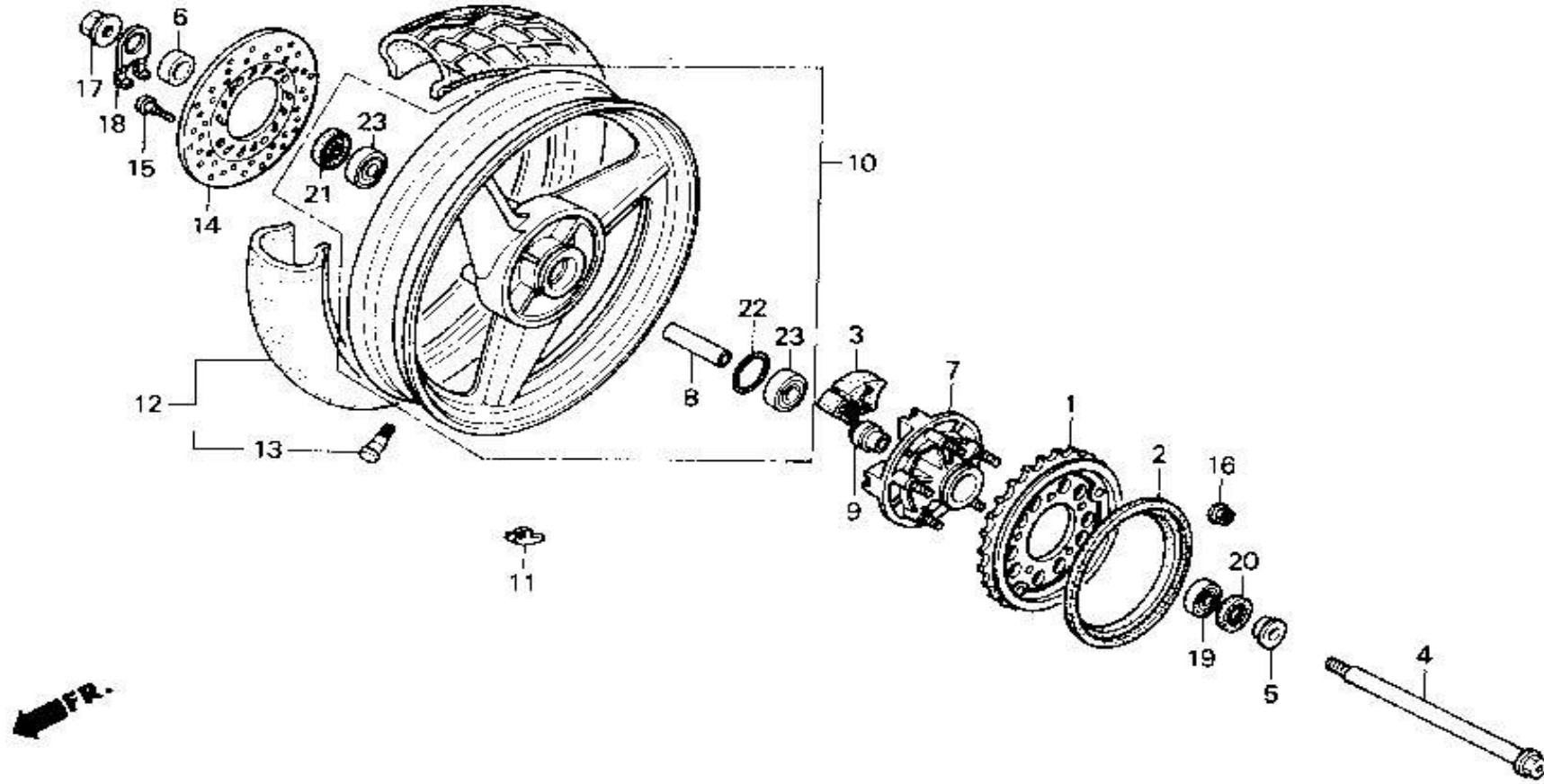
FR. 



REAR SHOCK ABSORBER

REF#	PART	#REQ	REF#	PART	#REQ
1	SHOCK ABSORBER, RR. 52400-KAF-761 (replaces 52400-KAF-671)	1	10	COLLAR, CUSHION ARM 52463-KV3-000	1
1	SHOCK ABSORBER, RR. 52400-KAF-761	1	11	RUBBER, STOPPER 52517-KAF-003	1
2	SPRING, RR. SHOCK 52401-KAF-671	1	12	LABEL, RR. 87516-KY7-911	1
3	METAL SET (LOWER) 52404-KAF-305	1	13	BOLT, FLANGE (10X62) 90129-KV3-771	1
4	PIPE, DRAIN 52405-MN4-003	1	14	BOLT, FLANGE (10X47) 90153-HA8-000	1
5	DAMPER, RR. 52410-KAF-761 (replaces 52410-KAF-003)	1	15	NUT, U (10MM) 90304-GE8-003	2
5	DAMPER, RR. 52410-KAF-761	1	16	BEARING (17X24X20) 91072-KT7-003	1
6	ADJUSTER, SPRING 52422-KV0-003	1	17	OIL SEAL (17X27X5) 91202-HC5-005	2
7	STOPPER, SPRING SEAT 52424-KB7-003	1	17	OIL SEAL (17X27X5) 91202-HC5-005 (replaces 91262-MG7-005)	2
8	JOINT, PIPE 52456-KB7-003	1	18	NUT, HEX. (14MM) 94031-14080	1
9	SEAT C, SPRING 52459-ML7-691	1			

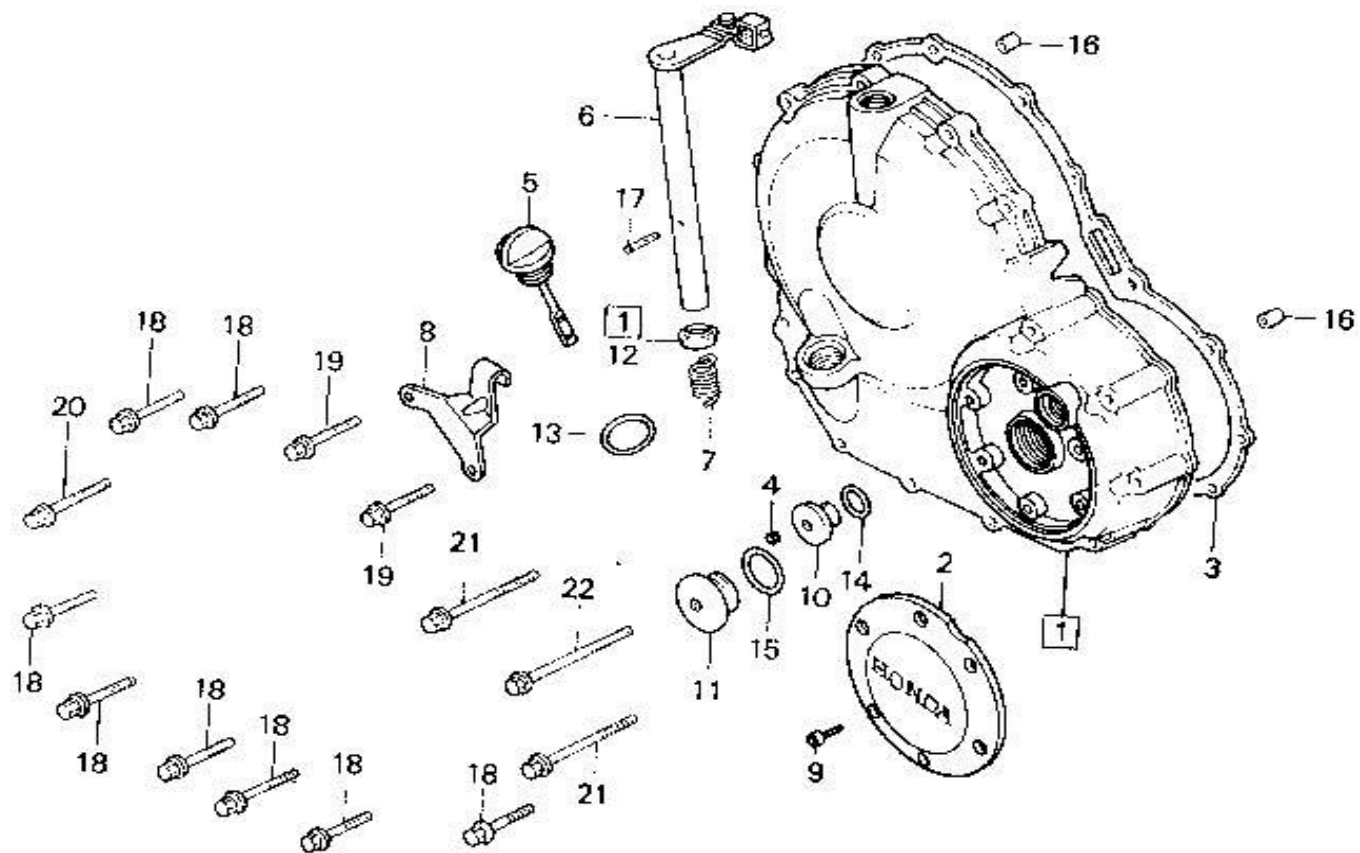
REAR WHEEL



REAR WHEEL

REF#	PART	#REQ	REF#	PART	#REQ
1	SPROCKET (41T) 41200-KAF-670	1	12	TIRE (140/70-17) 42711-KAF-014 (replaces 42710-KAF-003)	1
2	ARRESTER, NOISE 41212-KAF-000	1	12	TIRE (140/70-17) 42711-KAF-014 (replaces 42710-KAF-004)	1
3	DAMPER, RR. WHEEL 41241-KT8-000	4	12	TIRE (140/70-17) 42711-KAF-014 (replaces 42710-KAF-014)	1
4	AXLE, RR. WHEEL 42301-MR3-920 (replaces 42301-KW3-670)	1	12	TIRE (140/70-17) 42711-KAF-014	1
4	AXLE, RR. WHEEL 42301-MR3-920	1	13	VALVE, RIM 42753-ML7-003	1
5	COLR, RR. WHEEL SIDE 42311-KV0-000	1	13	VALVE, RIM 42753-ML7-004	1
6	COLLAR A, RR. WHEEL 42311-KW3-000	1	14	DISK, RR. BRAKE 43351-KAF-000	1
7	FLANGE, FINAL DRIVEN 42610-KT8-000	1	15	BOLT, FR. (8X24) 90105-KR3-000	4
8	COLLAR, RR. 42620-KAF-000	1	16	NUT, U (10MM) 90304-GE8-003	5
9	COLLAR B, RR. 42625-KT8-000	1	17	NUT, AXLE (16MM) 90305-KE8-003	1
10	WHEEL SET *NH167MU* 42650-KAF-305ZA (replaces 42650-KAF-305)	1	18	WASHER, RR. AXLE 90559-KY6-000	1
10	WHEEL SET *NH167MU* 42650-KAF-305ZA	1	19	BEARING (6204U) 96140-62040-10 (replaces 91051-MK4-005)	1
11	WEIGHT, BALANCE (10) 42704-MCF-D60 (replaces 42704-MB0-000)	AR	19	BEARING (6204U) 96140-62040-10	1
11	WEIGHT, BALANCE (20) 42705-MCF-D60 (replaces 42705-MB0-000)	AR	20	OIL SEAL (28X47.2X7) 91252-MC4-013 (replaces 91252-MC4-003)	1
11	WEIGHT, BALANCE (20) 42705-MCF-D60	AR	20	OIL SEAL (28X47.2X7) 91252-MC4-013 (replaces 91252-MC4-005)	1
11	WEIGHT, BALANCE (30) 42706-MCF-D60 (replaces 42706-MB0-000)	AR	20	OIL SEAL (28X47.2X7) 91252-MC4-013	1
11	WEIGHT, BALANCE (30) 42706-MCF-D60	AR	21	DUST SEAL (30X47X8) 91253-443-762 (replaces 91253-443-761)	1
			21	DUST SEAL (30X47X8) 91253-443-762	1
			22	O-RING (61X2) 91302-MA6-003	1
			23	BEARING (6303UU)	2

RIGHT CRANKCASE COVER

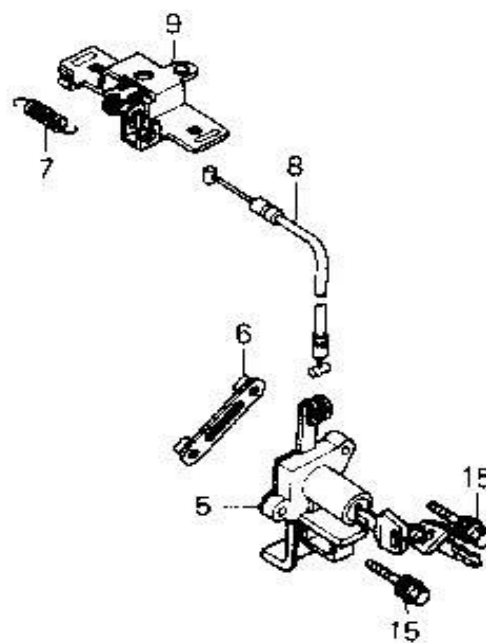
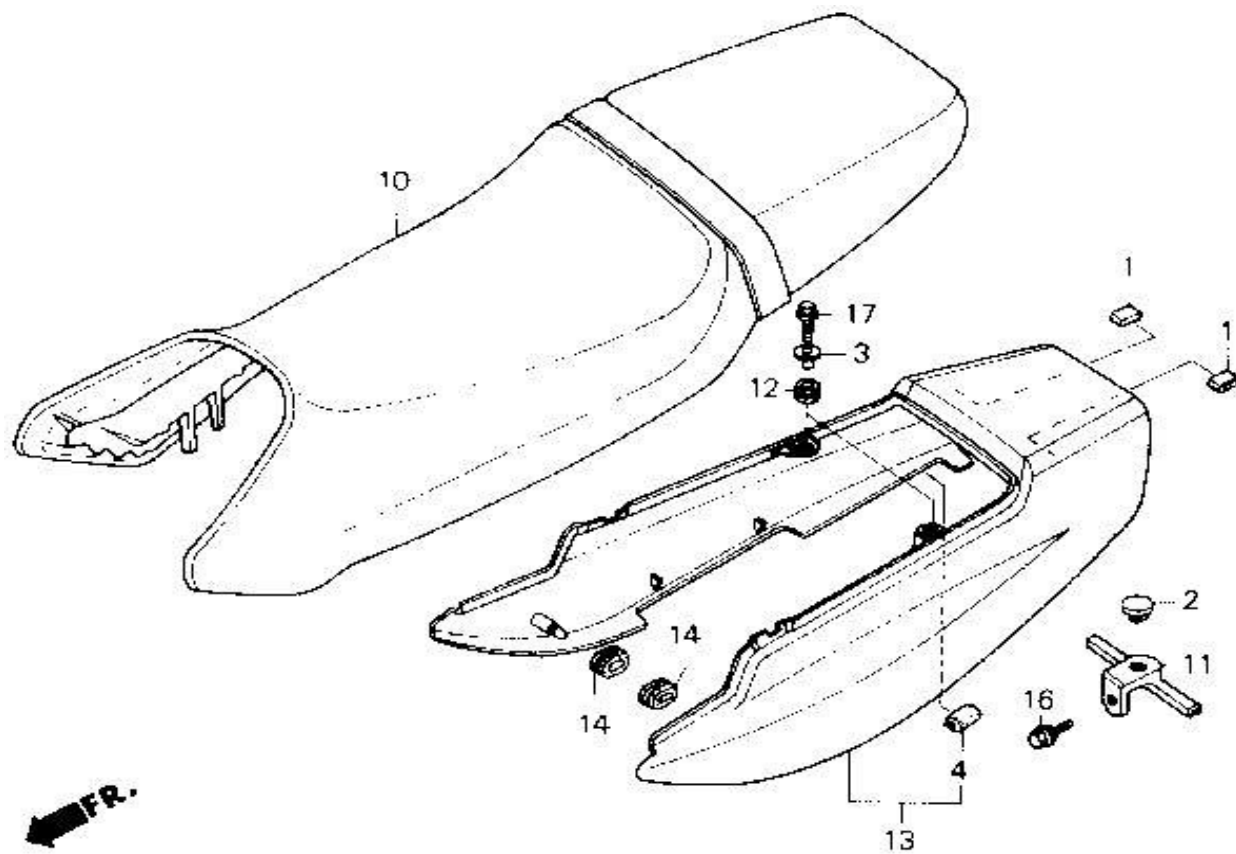


FR. →

RIGHT CRANKCASE COVER

REF#	PART	#REQ	REF#	PART	#REQ
1	COVER, R. 11330-KAF-000	1	12	OIL SEAL (12X18X5) 91204-KK0-003	1
2	BASE, EMBLEM 11332-KAF-000	1	13	O-RING (22X3.0) 91307-425-003 (replaces 91301-250-000)	1
3	GASKET, R. 11396-MY9-000 (replaces 11396-KT8-000)	1	13	O-RING (22X3.0) 91307-425-003	1
3	GASKET, R. 11396-MY9-000 (replaces 11396-MN4-000)	1	14	O-RING (13.8X2.5) 91303-377-000	1
3	GASKET, R. 11396-MY9-000 (replaces 11396-MN4-306)	1	15	O-RING (29.7X2.4) 91356-425-005 (replaces 91356-425-003)	1
3	GASKET, R. 11396-MY9-000	1	15	O-RING (29.7X2.4) 91356-425-005	1
4	PLUG, HEX. (6MM) 12392-MJ0-000	1	16	PIN, DOWEL (8X14) 94301-08140	2
5	DIPSTICK, OIL 15650-KAF-000	1	17	PIN, SPRING (3X16) 94305-30162	1
6	LEVER, CLUTCH 22710-KAF-000	1	18	BOLT, FLANGE (6X25) 96001-06025-00	8
7	SPRING, CLUTCH LEVER 22815-428-000	1	19	BOLT, FLANGE (6X28) 96001-06028-00	2
8	RECEIVER 22821-KAF-000	1	20	BOLT, FLANGE (6X32) 96001-06032-00	1
9	BOLT, SOCKET (4X10) 90073-ME9-000	6	21	BOLT, FLANGE (6X55) 96001-06055-00	2
10	CAP (14MM) 90084-KY2-000	1	22	BOLT, FLANGE (6X60) 96001-06060-00	1
11	CAP (30MM) 90087-KT7-000	1			

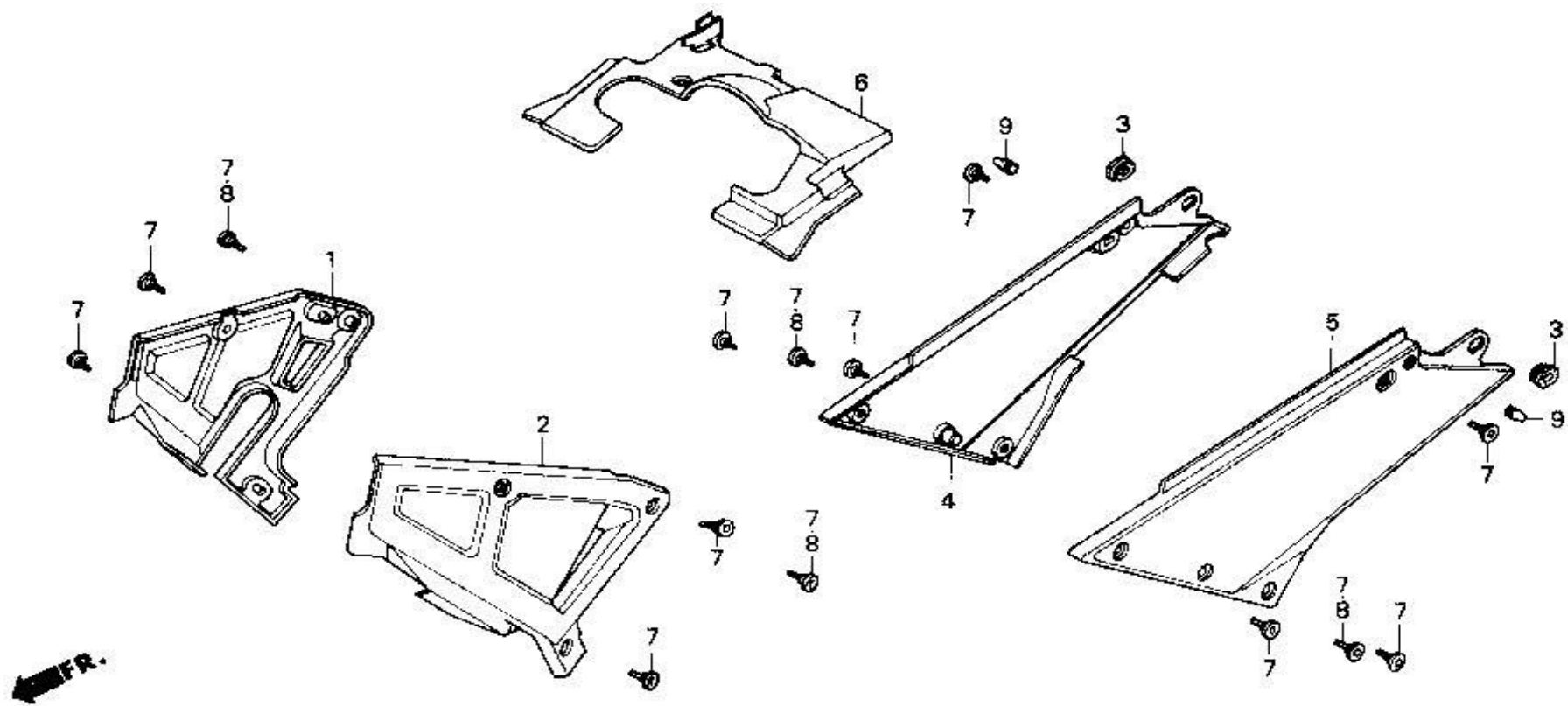
SEAT



SEAT

REF#	PART	#REQ	REF#	PART	#REQ
1	RUB, CHAIN CASE STAY 40511-KN8-000	2	10	SEAT ASSY. 77200-KAF-700 (replaces 77200-KAF-000)	1
2	RUBBER, RR. 50524-KAF-000	1	10	SEAT ASSY. 77200-KAF-700	1
3	COLLAR, CHAIN GUARD 52159-KB7-000	2	11	STAY, RR. COWL 77215-KAF-000	1
4	MOLDING, RR. COWL 64601-KAF-300	2	12	GROMMET, SEAT COWL 77219-MJ6-000	2
5	LOCK ASSY., SEAT 77110-MN8-700 (replaces 77110-ML7-700)	1	13	COWL *B131P* (TYPE1) 77220-KAF-780ZC (replaces 77220-KAF-670ZA)	1
5	LOCK ASSY., SEAT 77110-MN8-700	1	13	COWL *B131P* (TYPE1) 77220-KAF-780ZC (replaces 77220-KAF-780ZA)	1
6	PLATE 77112-ML7-000	1	13	COWL *B131P* (TYPE1) 77220-KAF-780ZC	1
7	SPRING, SEAT LOCK 77151-MB1-870	1	14	GROMMET, SIDE COVER 83551-MA6-000	2
8	CABLE, SEAT LOCK 77156-KAF-000	1	15	BOLT (6MM) 90008-MB6-630	2
9	BRACKET, SEAT LOCK 77160-KV0-010	1	16	BOLT, FLANGE (6MM) 90112-MM9-000	1
			17	BOLT, FLANGE (6X20) 95701-06020-00	2

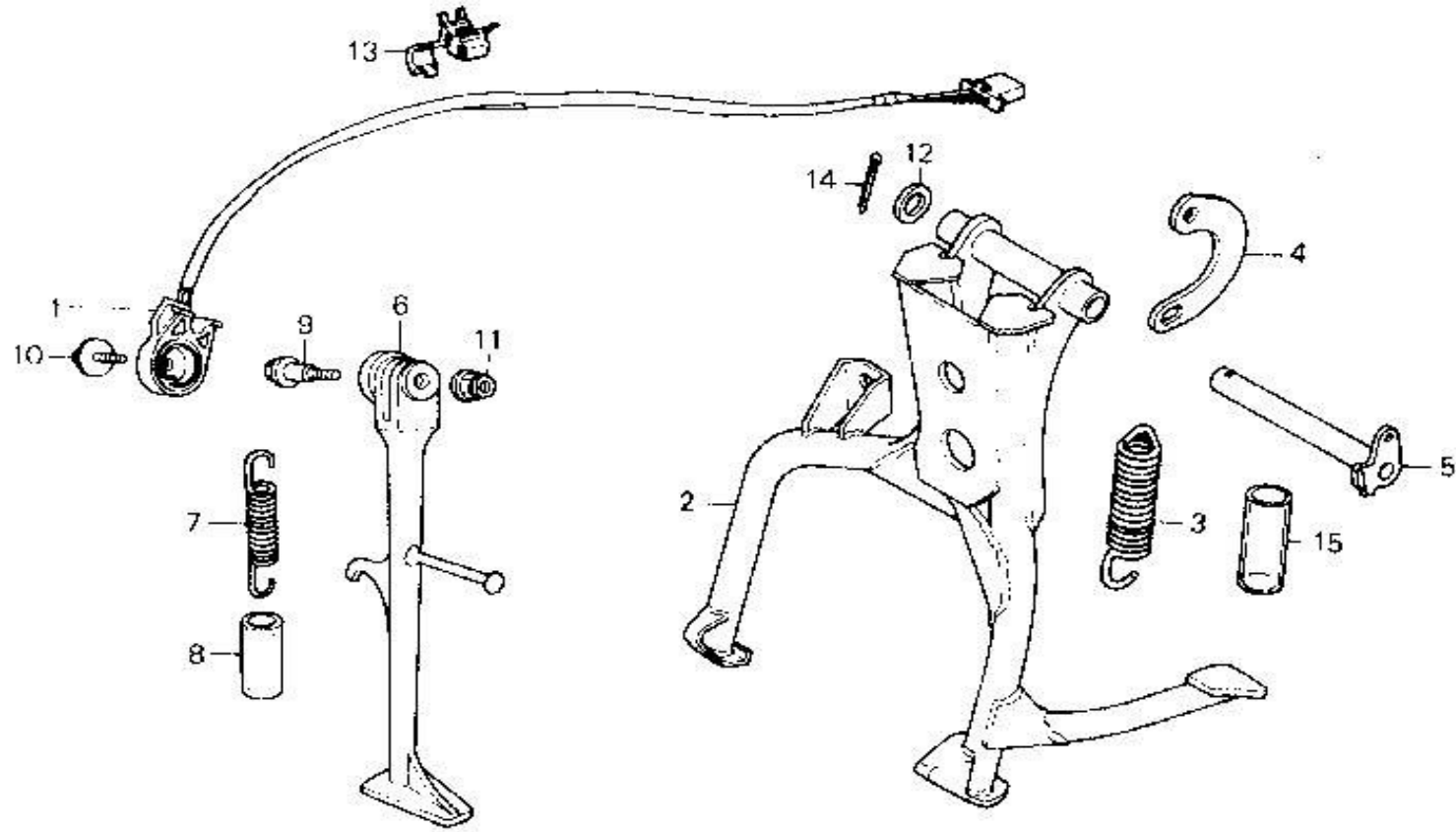
SIDE COVER



SIDE COVER

REF#	PART	#REQ
1	COVER, R. FR. SIDE 64260-KAF-670	1
2	COVER, L. FR. SIDE 64360-KAF-670	1
3	GROMMET, A/CLNR HSG 83551-300-000	2
4	COVER, R. SIDE 83650-KAF-670	1
5	COVER, L. SIDE 83750-KAF-670	1
6	COVER, CUSHION 83800-KAF-000	1
7	BOLT, SPECIAL (6MM) 90106-KAF-000	14
9	PLUG, CONE 90899-KL8-000	2

STAND

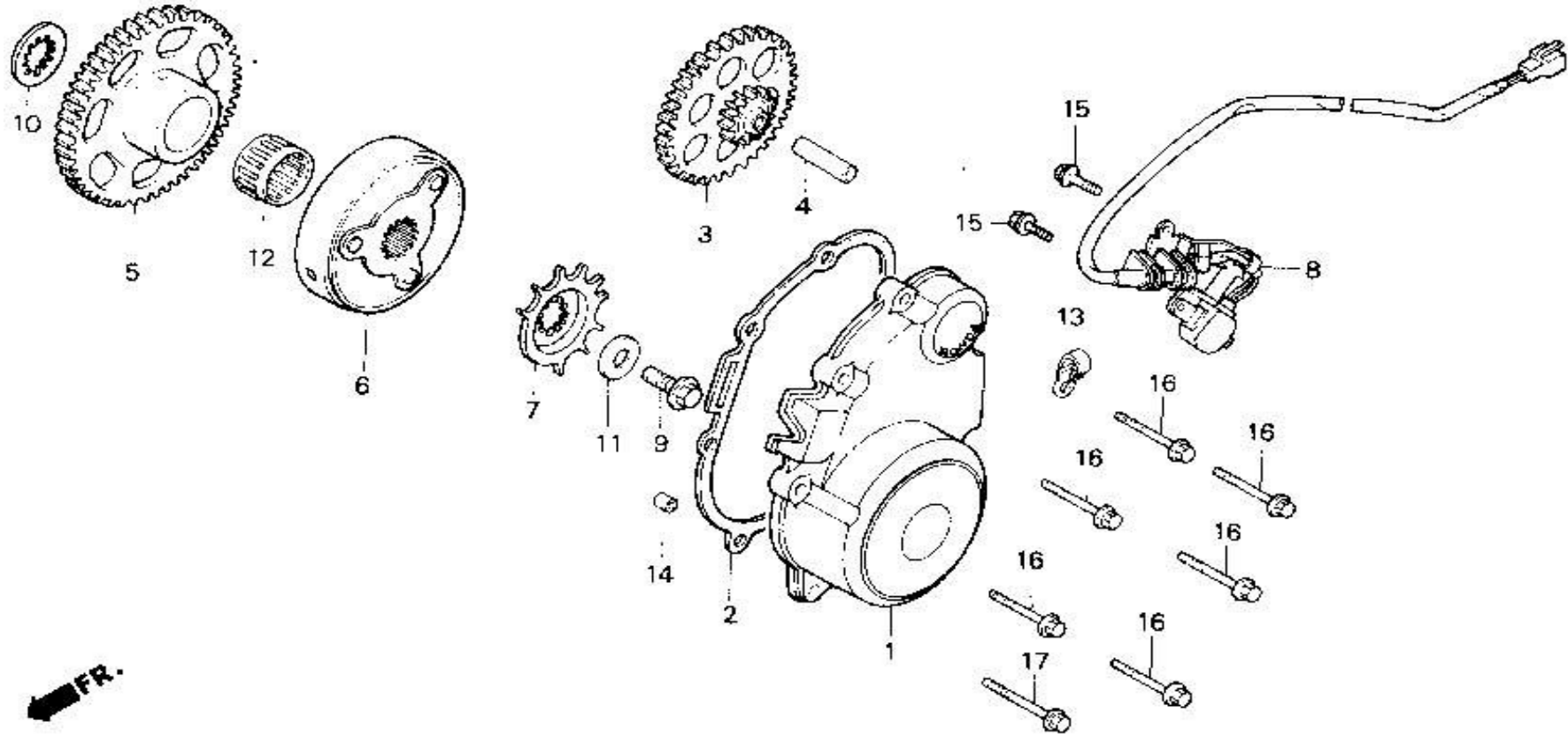


← FR.

STAND

REF#	PART	#REQ	REF#	PART	#REQ
1	SWITCH, SIDE STAND 35700-KAF-305	1	9	BOLT 90108-MK6-670	1
2	STAND, MAIN 50500-KAF-700 (replaces 50500-KAF-000)	1	10	BOLT, SPECIAL (6X14) 90147-MK6-670	1
2	STAND, MAIN 50500-KAF-700	1	11	NUT, SIDE STAND 90203-MF9-710	1
3	SPRING, MAIN STAND 50522-MN4-000	1	12	WASHER (16X22) 90439-443-740	1
4	PLATE 50523-425-000	1	13	CLIP, CABLE (8MM) 90690-GHB-631	1
5	PIPE 50526-MT6-600	1	14	PIN, COTTER (2.5MM) 94201-25300 (replaces 94201-25250)	1
6	BAR, SIDE STAND 50530-KAF-000	1	14	PIN, COTTER (2.5MM) 94201-25300	1
7	SPRING, SIDE STAND 50541-KE8-000	1	15	TUBE (22X27X60) 95003-60006-20	1
8	TUBE 50544-MR7-000	1			

STARTING CLUTCH



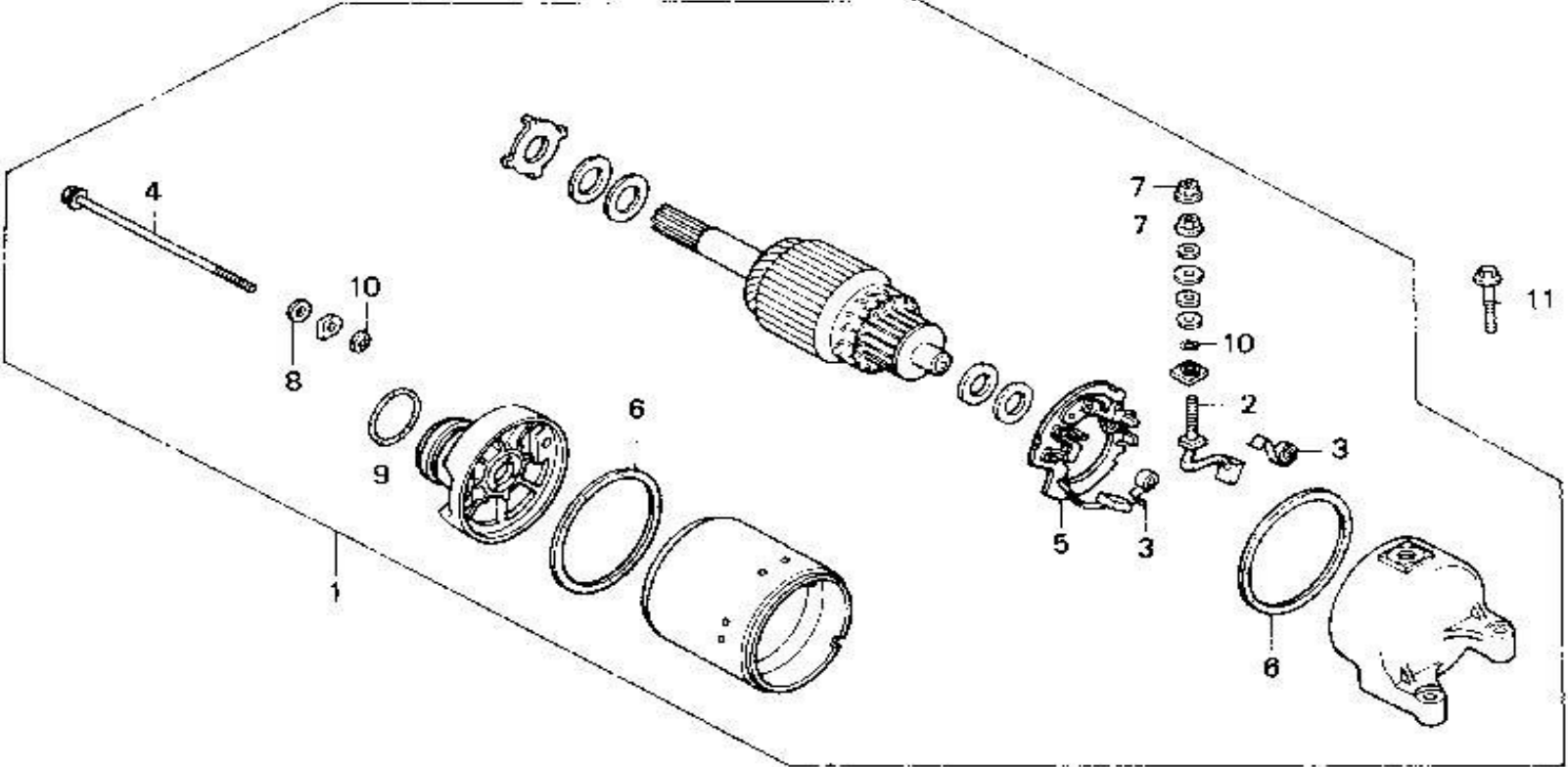
FR.

STARTING CLUTCH

REF#	PART	#REQ	REF#	PART	#REQ
1	COVER, STARTER 11631-KAF-000	1	8	GENERATOR, PULSE 30300-KAF-000	1
2	GSKT, STARTER COVER 11691-MY9-000 (replaces 11691-KT8-000)	1	9	BOLT, FLG (10X31.5) 90020-KT7-010	1
2	GSKT, STARTER COVER 11691-MY9-000 (replaces 11691-MN4-000)	1	10	WASHER (20MM) 90401-KT7-000	1
2	GSKT, STARTER COVER 11691-MY9-000 (replaces 11691-MN4-306)	1	11	WASHER (10X24) 90403-KM9-000	1
2	GSKT, STARTER COVER 11691-MY9-000 (replaces 11691-MN4-920)	1	12	BEARING, NEEDLE 91022-MR8-003 (replaces 91022-KE8-003)	1
2	GSKT, STARTER COVER 11691-MY9-000	1	12	BEARING, NEEDLE 91022-MR8-003	1
3	GEAR (85T/15T) 28101-KT8-000	1	13	CLIP (4X60) 91410-KT7-000	1
4	PIN (10X44) 28102-ME9-000	1	14	PIN, DOWEL (8X14) 94301-08140	1
5	GEAR (48T) 28110-MV4-000 (replaces 28110-KT8-000)	1	15	*95701-06016-08 95701-06016-00	3
5	GEAR (48T) 28110-MV4-000	1	15	*95701-06016-08 95701-06016-00 (replaces 95701-06016-09)	3
6	CLUTCH, STARTING 28120-MV4-000 (replaces 28120-KY2-000)	1	16	BOLT, FLANGE (6X28) 96001-06028-00	6
6	CLUTCH, STARTING 28120-MV4-000	1	17	BOLT, FLANGE (6X35) 96001-06035-00	1
7	ROTOR, PULSE 30291-KAF-750	1			

STARTING MOTOR

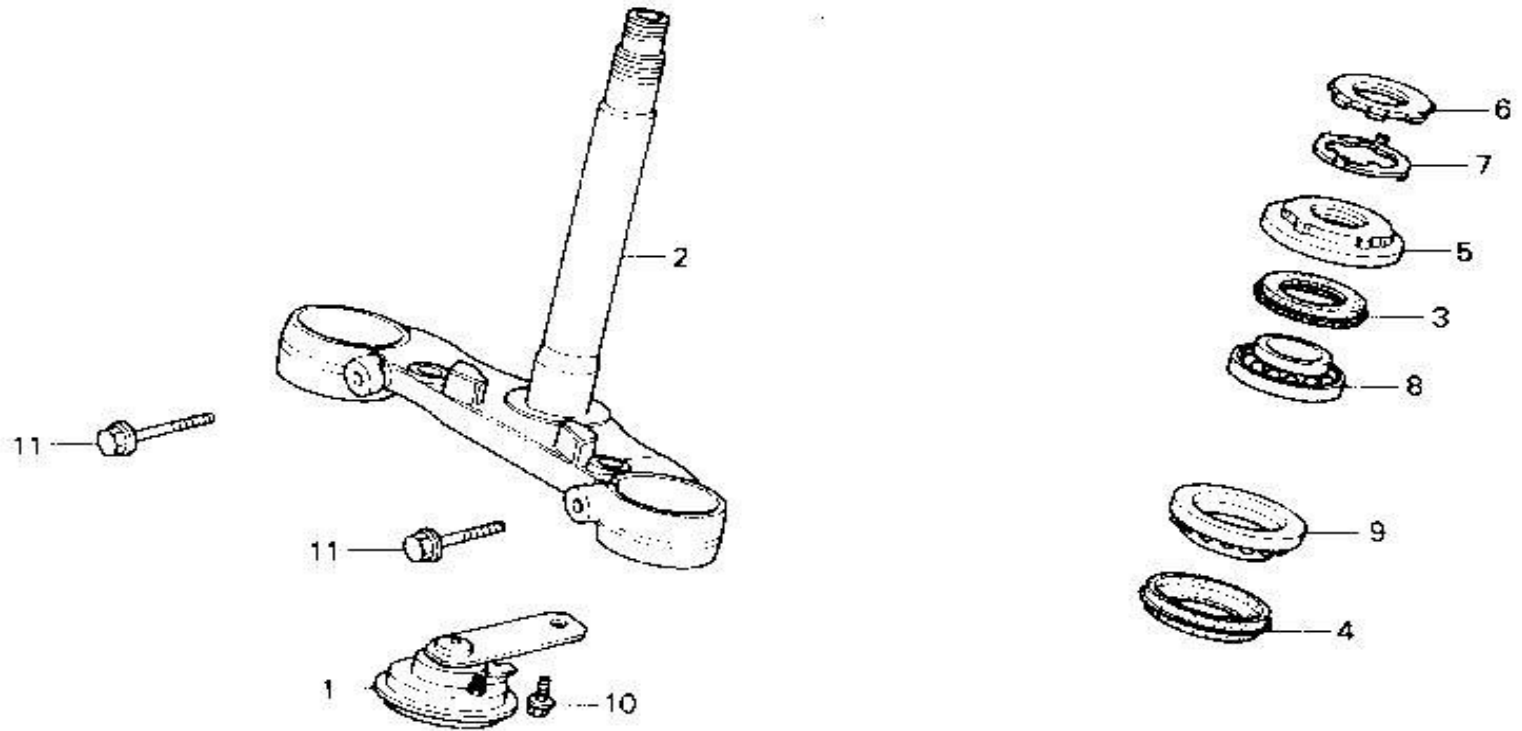
FR. 



STARTING MOTOR

REF#	PART	#REQ	REF#	PART	#REQ
1	MOTOR ASSY.,START 31200-KAF-008 (replaces 31200-KAF-000)	1	6	RING 31207-KS5-901	2
1	MOTOR ASSY.,START 31200-KAF-008	1	7	NUT-WASHER (6MM) 90071-MB0-000	2
1	MOTOR ASSY.,START 31200-KAF-008 (replaces 31200-KAF-010)	1	8	WASHER, STEEL PLATE 90122-MN4-008	2
2	TERMINAL SET, BRUSH 31201-KS5-901	1	9	O-RING (24.4X3.1) 91312-MG7-003 (replaces 91309-425-003)	1
3	SPRING, CARBON BRUSH 31204-KS5-901	2	9	O-RING (24.4X3.1) 91312-MG7-003	1
4	BOLT, SETTING 31205-KL8-711	2	10	O-RING 91320-MB0-000	3
5	HOLDER SET, BRUSH 31206-MN4-008	1	11	BOLT, FLANGE (6X28) 95701-06028-00	2

STEERING STEM

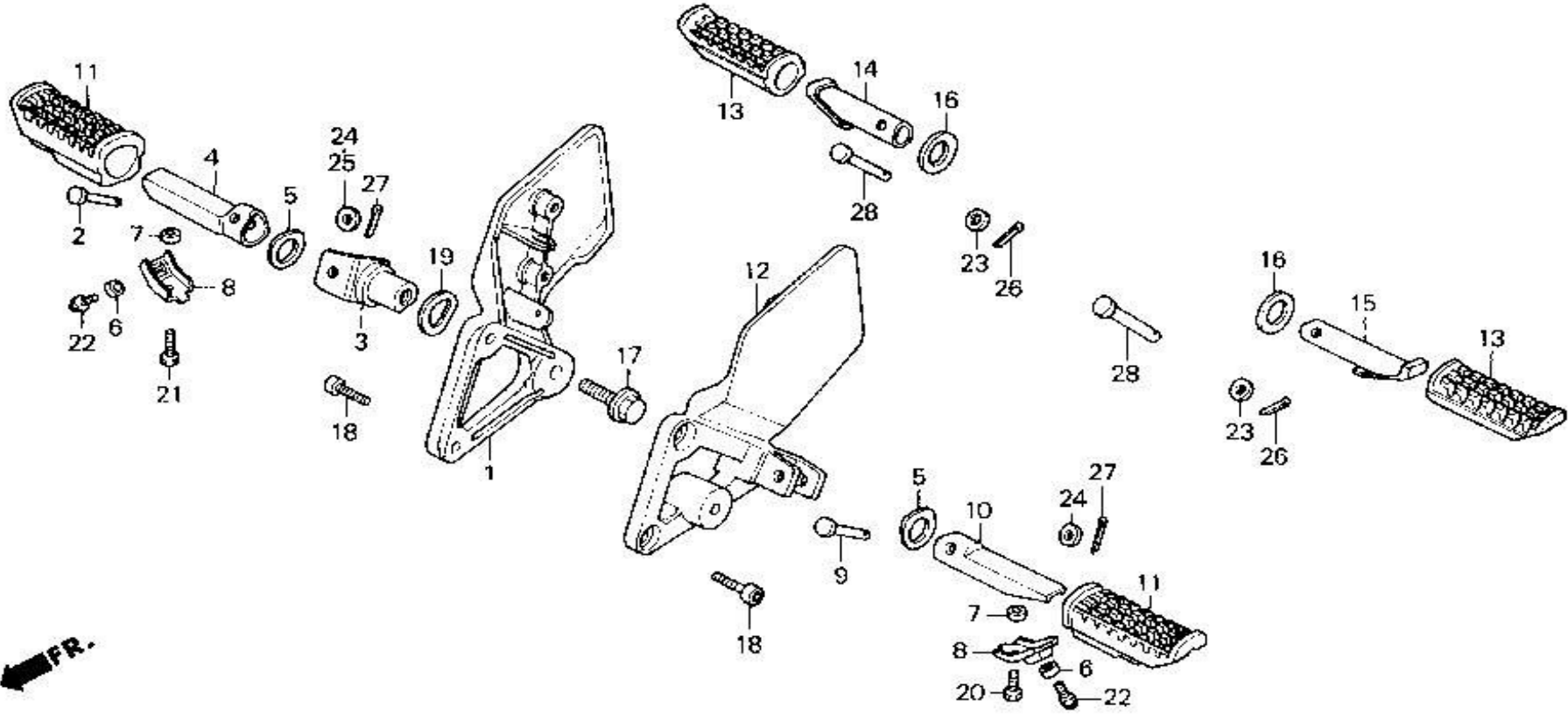


←FR.

STEERING STEM

REF#	PART	#REQ	REF#	PART	#REQ
1	HORN 38110-KAF-003 (replaces 38110-KAF-000)	1	6	THREAD 90302-425-830	1
1	HORN 38110-KAF-003	1	7	WASHER, LOCK 90506-425-830	1
2	STEM, STEERING 53200-KAF-670	1	8	BEARING, HEAD PIPE 91015-KT8-005	1
3	DUST SEAL 53214-KA4-701	1	9	BEARING, HEAD PIPE 91016-KT8-005	1
4	DUST SEAL 53214-371-010	1	10	BOLT, FLANGE (8X12) 95701-08012-07	1
5	THREAD 53220-422-000	1	11	BOLT, FLANGE (10X35) 96300-10035-07	2

STEP



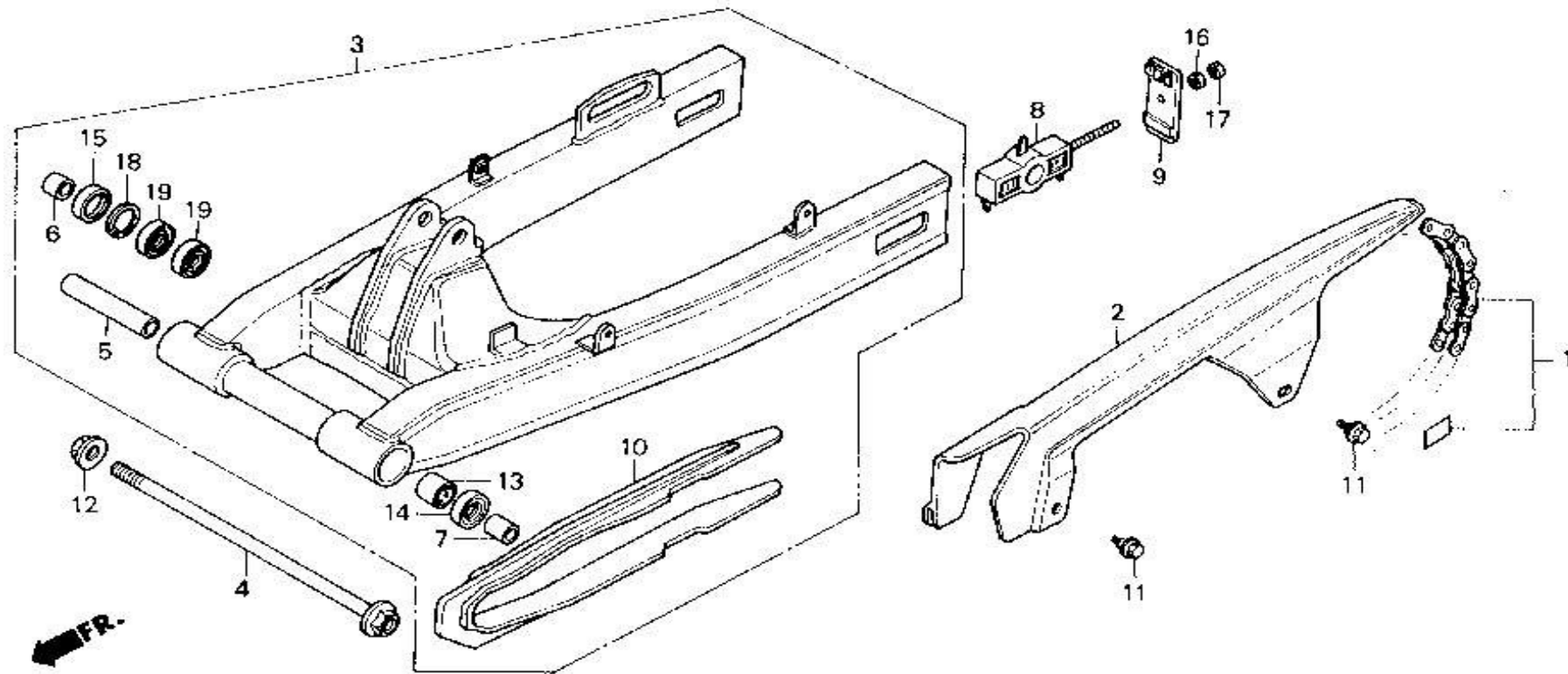
FR.

STEP

REF#	PART	#REQ	REF#	PART	#REQ
1	HOLDER R STEP 50600-KAF-000	1	15	BAR, L. PILLION STEP 50712-KE8-000	1
1	HOLDER R STEP 50600-KAF-000 (replaces 50600-KAF-670)	1	16	PLATE 50715-KAF-670	2
2	PIN 50603-KAF-000	1	17	BOLT 90105-KV3-700	1
3	BRACKET, MAIN STEP 50612-KAF-000	1	18	BOLT, SOCKET (8X20) 90157-MF5-000	4
4	BAR, R. MAIN STEP 50612-KM3-000	1	19	WASHER (17.5MM) 90505-MR7-000	1
5	PLATE 50614-KE8-000	2	20	BOLT, FLANGE (6X12) 96001-06012-07 (replaces 92000-06012-0G)	1
6	COLLAR (8.3) 50618-MN8-000 (replaces 50618-KAF-670)	2	20	BOLT, FLANGE (6X12) 96001-06012-07 (replaces 92101-06012-0G)	1
6	COLLAR (8.3) 50618-MN8-000	2	20	BOLT, FLANGE (6X12) 96001-06012-07	1
7	COLLAR (6.5X11X3) 50618-KE8-000	2	21	BOLT, FLANGE (6X12) 96001-06012-07 (replaces 92101-06012-0G)	1
8	PLATE, MAIN STEP 50619-MJ6-000	2	21	BOLT, FLANGE (6X12) 96001-06012-07	1
9	PIN, STEP BAR 50639-KAF-000	1	22	BOLT, CAP (8X18) 92501-08018-0G	2
10	BAR, L. MAIN STEP 50643-KM3-000	1	23	WASHER, PLAIN (6MM) 94101-06800 (replaces 94101-06000)	2
11	RUBBER, MAIN STEP 50661-KE7-000	2	23	WASHER, PLAIN (6MM) 94101-06800 (replaces 94101-06080)	2
12	HOLDER, L. STEP 50700-KAF-000	1	23	WASHER, PLAIN (6MM) 94101-06800	2
12	HOLDER, L. STEP 50700-KAF-000 (replaces 50700-KAF-670)	1	24	WASHER, PLAIN (8MM) 94101-08000	2
13	RUBBER, PILLION STEP 50710-KE8-000	2	26	PIN, COTTER (1.6X10) 94201-16100	2
14	BAR, R. PILLION STEP 50711-KE8-000	1	27	PIN, SPLIT (2.0X15) 94201-20150	2
			28	PIN A, PILLION STEP	2

|95015-81000

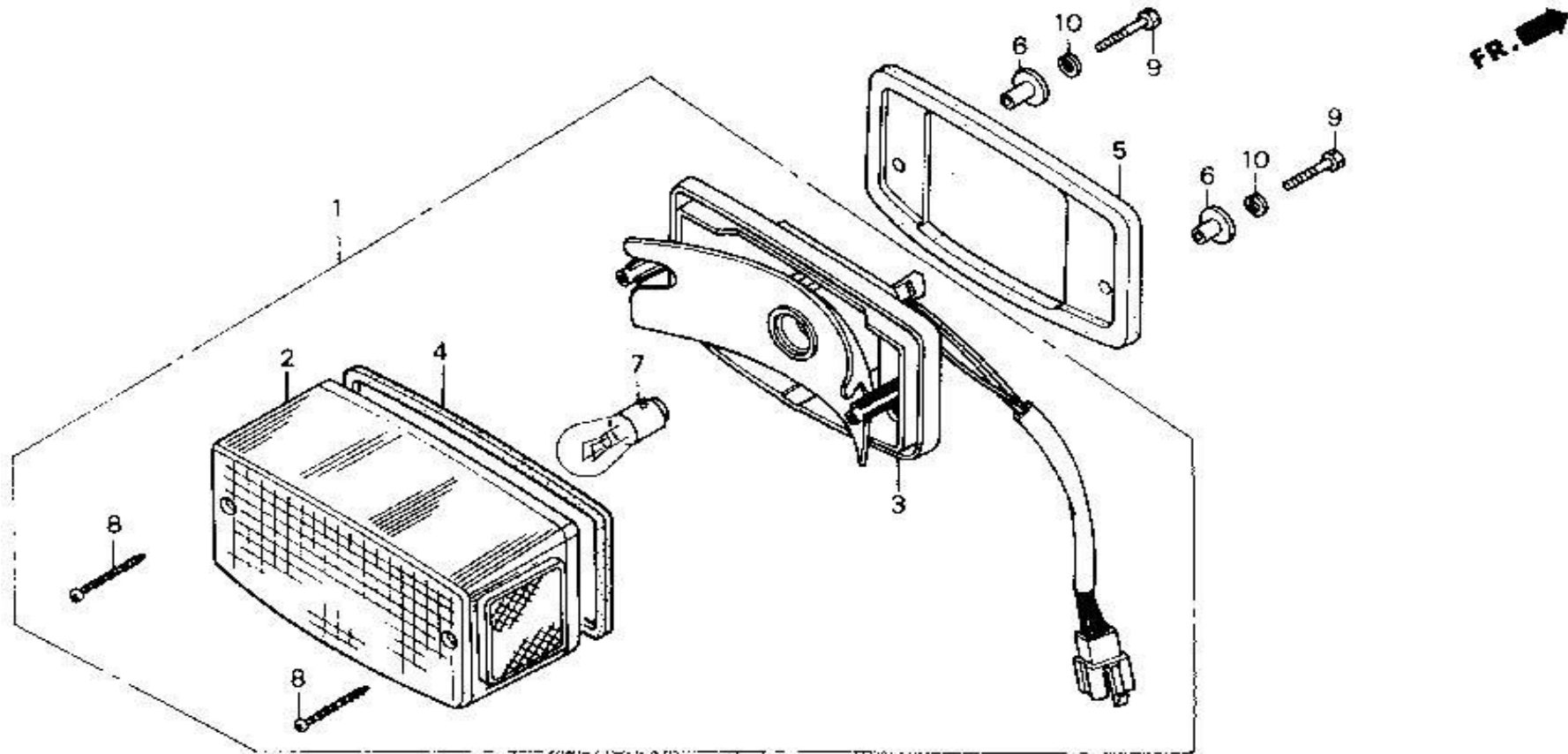
SWINGARM



SWINGARM

REF#	PART	#REQ	REF#	PART	#REQ
1	CHAIN SET, DRIVE 405A3-KAF-013	1	12	NUT, U (14MM) 90305-GE8-003	1
1	CHAIN SET, DRIVE 405A3-KAF-015	1	12	NUT, U (14MM) 90305-GE8-003 (replaces 90305-MA1-003)	1
2	CASE, DRIVE CHAIN 40510-KAF-000	1	13	BEARING, NEEDLE 91071-MJ0-004 (replaces 91071-MJ0-003)	1
3	SWINGARM ASSY. 52100-KAF-000	1	13	BEARING, NEEDLE 91071-MJ0-004	1
4	BOLT, SWINGARM PIVOT 52101-KM4-000	1	14	OIL SEAL (22X31X5) 91205-965-003	1
5	COLR, PIVOT DISTANCE 52102-KAF-000	1	15	DUST SEAL (22X35X7) 91213-MB2-003	1
6	COLLAR B, RR. 52105-MJ0-000	1	15	DUST SEAL (22X35X7) 91213-MB2-003 (replaces 91213-MB2-006)	1
7	COLLAR B, PIVOT 52106-ML4-000	1	16	NUT, HEX. (8MM) 94001-08000-0S	2
8	COLLAR 52120-KY6-000	2	17	NUT, HEX. (8MM) 94030-08000	2
9	PLATE 52121-KY6-000	2	18	CIRCLIP (35MM) 94520-35000	1
10	SLIDER, CHAIN 52170-KAF-000	1	19	BEARING (6202) 96100-62020-10	2
11	BOLT, FLANGE (6MM) 90111-187-000	2			

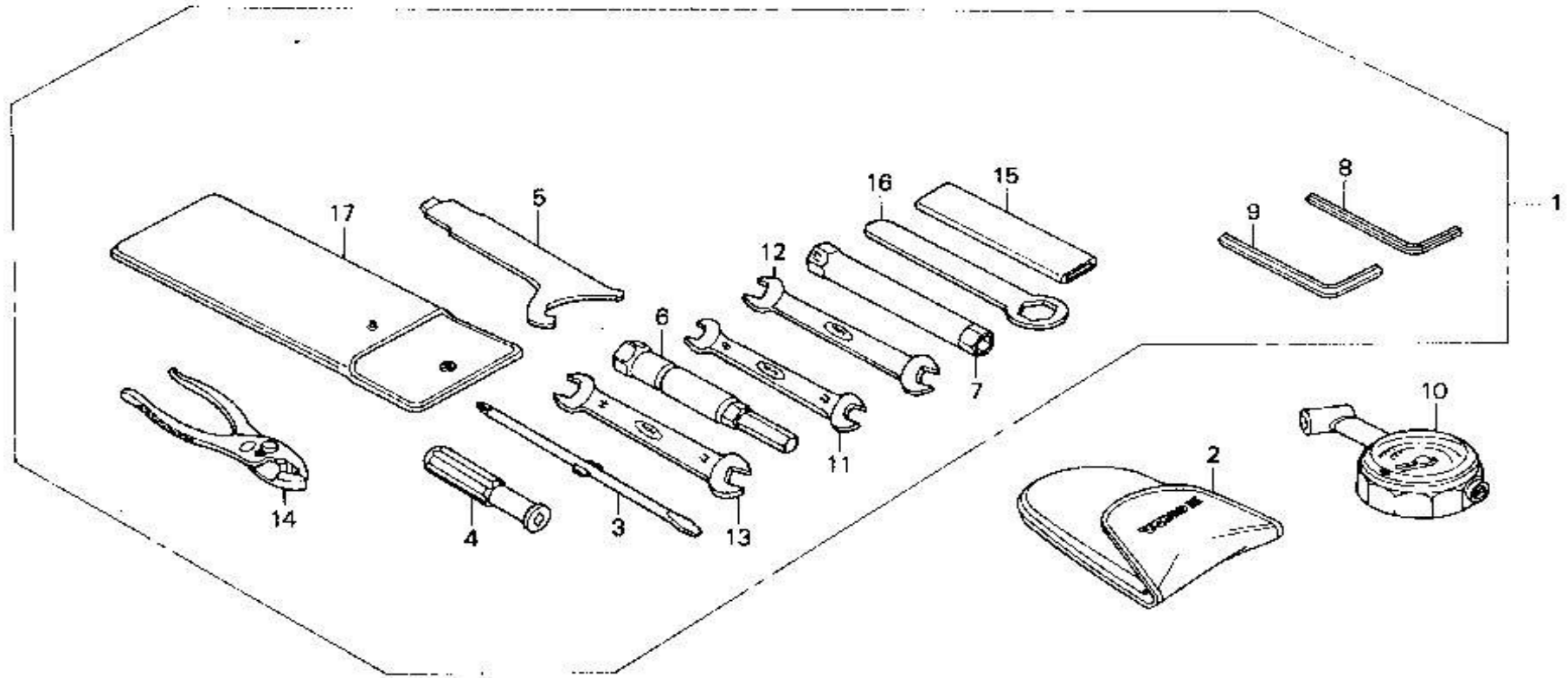
TAILLIGHT



TAILLIGHT

REF#	PART	#REQ	REF#	PART	#REQ
1	TAILLIGHT UNIT 33701-KAF-671	1	7	BULB (12V27/8W) 34906-425-771	1
2	LENS, TAILLIGHT 33702-MC4-671	1	8	SCREW, TAP (4X40) 90104-KAF-000	2
3	SOCKET, TAILLIGHT 33703-KAF-670	1	9	BOLT, HEX. (5X25) 92101-05025-0A (replaces 92000-05025-0A)	2
4	GSKT, TAILLIGHT LENS 33709-KB7-003	1	9	BOLT, HEX. (5X25) 92101-05025-0A	2
5	GASKET, TAILLIGHT 33718-MG2-000	1	10	WASHER, SPRING (5MM) 94111-05000	2
6	COLLAR 33719-437-970	2			

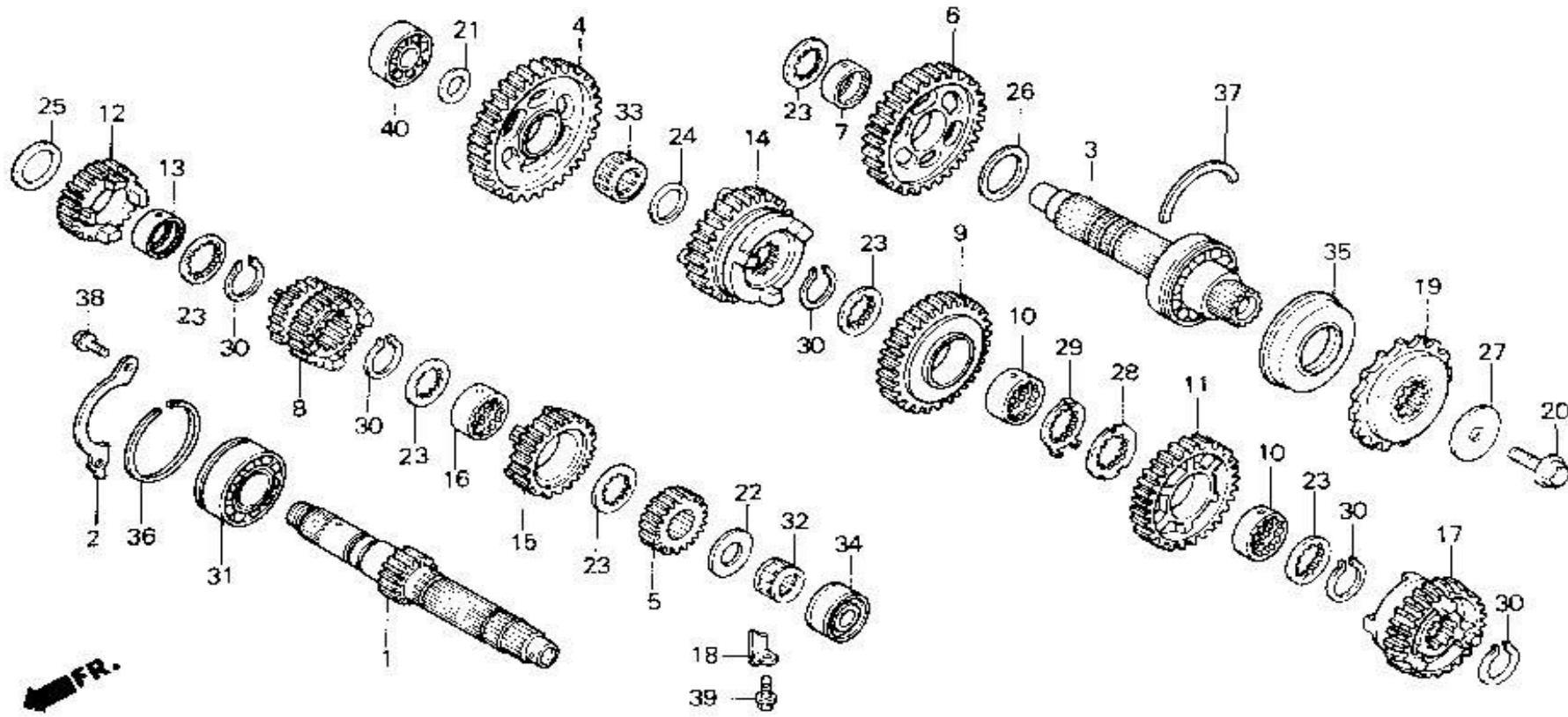
TOOLS



TOOLS

REF#	PART	#REQ	REF#	PART	#REQ
1	TOOL SET 89010-KAF-000	1	10	GAUGE, AIR PRESSURE 89301-463-771	(1)
2	BAG, AIR PRES GA 89102-469-003	(1)	11	WRENCH (8X12) 99001-08120	1
3	SHAFT 89102-538-000	1	12	SPANNER (10X12) 99001-10120	1
4	GRIP 89103-538-000	1	13	SPANNER (14X17) 99001-14170	1
5	WRENCH, PIN 89202-MN4-000	1	14	PLIERS (135) 99002-13500	1
6	WRENCH, BOX (P16) 89216-KT7-000	1	15	HANDLE (12MM) 99006-12000	1
7	WRENCH, BOX (17MM) 89218-KM9-000	1	16	WRENCH, EYE (24MM) 99006-24000	1
8	WRENCH, HEX. (5MM) 89221-MJ0-950	1	17	BAG, TOOL 89101-ME5-670	1
9	WRENCH, HEX. (6MM) 89221-371-000	1	17	BAG, TOOL 89101-ME5-670 (replaces 99008-02000)	1

TRANSMISSION



TRANSMISSION

REF#	PART	#REQ	REF#	PART	#REQ
1	MAINSHAFT 23210-KAF-000	1	18	PLATE 23531-KY2-010 (replaces 23531-KY2-000)	1
2	PLATE 23213-KT8-000	1	18	PLATE 23531-KY2-010	1
3	COUNTERSHAFT 23220-MBE-000 (replaces 23220-KY2-000)	1	19	SPROCKET (15T) 23801-KY2-005	1
3	COUNTERSHAFT 23220-MBE-000	1	20	BOLT, SPECIAL (10MM) 90037-422-003	1
4	GEAR (43T) 23421-KY2-000	1	21	WASHER (17.2MM) 90403-KE7-000	1
5	GEAR (17T) 23431-KAF-000	1	22	WASHER (17.2MM) 90403-MF2-010	1
6	GEAR (40T) 23441-KAF-000	1	23	WASHER (25X31X1.5) 90451-KY2-000	6
7	COLLAR (25X28X9) 23442-KY2-000	1	24	WASHER (20MM) 90453-360-000	1
8	GEAR,M-3,M-4 23451-KAF-900 (replaces 23451-KY2-000)	1	25	WASHER (25MM) 90456-MA6-000	1
8	GEAR (16T/22T) 23451-KY2-710	1	26	WASHER C (25MM) 90459-357-000	1
8	GEAR,M-3,M-4 23451-KAF-900 (replaces 23451-KY2-711)	1	27	WASHER (10.2MM) 90459-438-000	1
9	GEAR (30T) 23461-KY2-000	1	28	WASHER (25MM) 90461-KY2-000	1
10	COLR, SPLINE (25X9) 23462-KY2-000	2	29	WASHER, LOCK (25MM) 90462-KY2-000	1
11	GEAR (35T) 23481-KY2-000	1	30	CIRCLIP (25MM) 90601-107-000	5
11	GEAR (35T) 23481-KY2-710	1	31	BEARING (63/22) 91004-KT8-003	1
12	GEAR (23T) 23491-MV4-780 (replaces 23491-KAF-000)	1	32	BEARING (17X27X14.8) 91022-MN4-003	1
12	GEAR (23T) 23491-MV4-780	1	33	BEARING (20X24X9.6) 91023-MF2-711	1
13	COLLAR (25X28X11) 23492-KY2-000	1	34	OUTER 91023-MN4-003	1
14	GEAR (33T) 23501-MV4-000 (replaces 23501-KAF-000)	1	35	OIL SEAL (34X62X8) 91207-KT8-003	1
14	GEAR (33T) 23501-MV4-000	1	36	RING, SNAP (52MM) 94560-52200	1
15	GEAR (24T) 23511-KY2-711 (replaces 23511-KAF-000)	1	37	SET-RING (62MM) 90602-428-000 (replaces 95015-26200)	1
15	GEAR (24T) 23511-KY2-711	1	38	*95701-06016-08 95701-06016-00	2
16	COLLAR (25X12.4) 23512-KY2-000	1	39	BOLT, FLANGE (6X14) 96001-06014-00	1
17	GEAR (32T) 23521-KAF-900 (replaces 23521-KAF-000)	1	40	BEARING (6203) 96140-62030-00	1

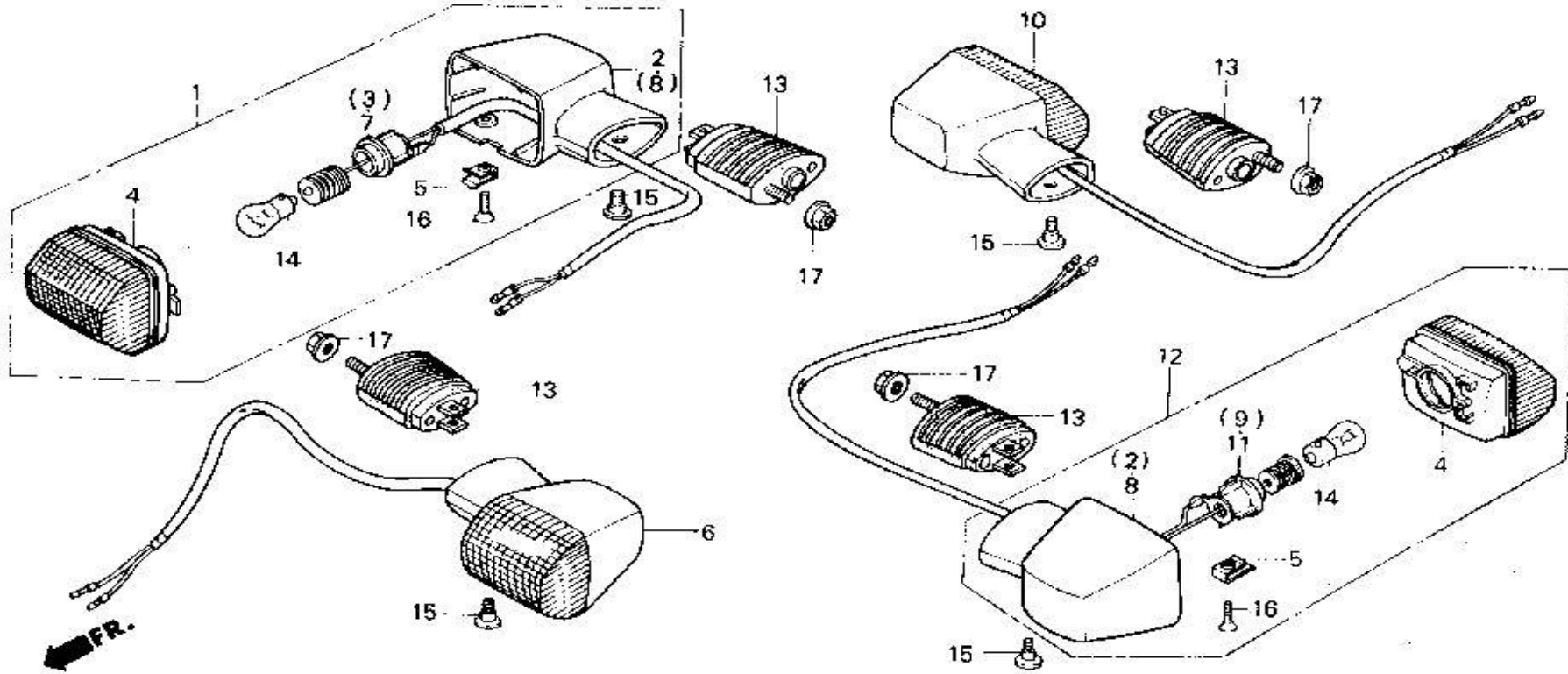
17

GEAR (32T)

23521-KAF-900

1

TURN SIGNAL



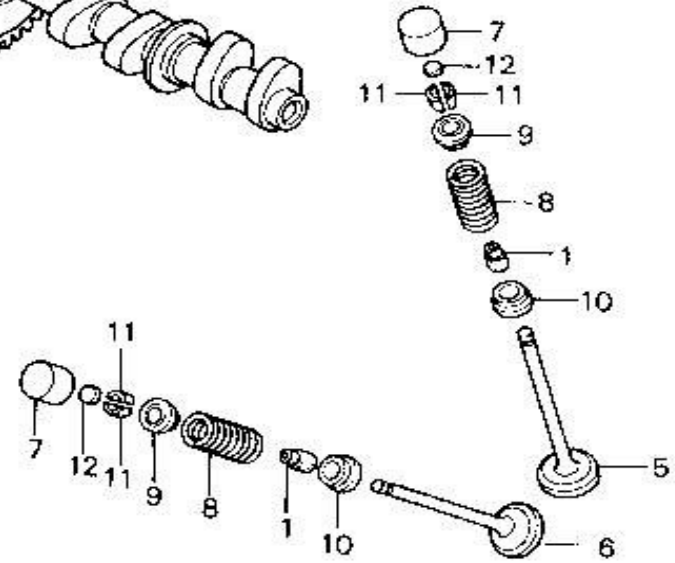
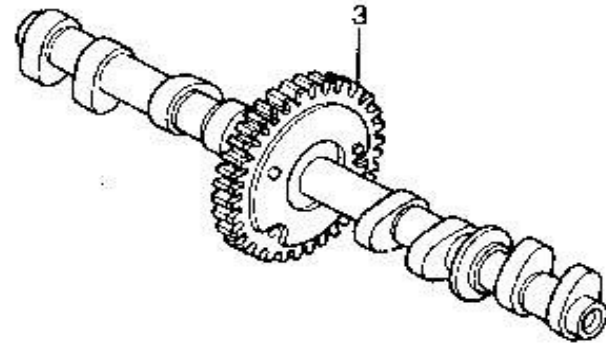
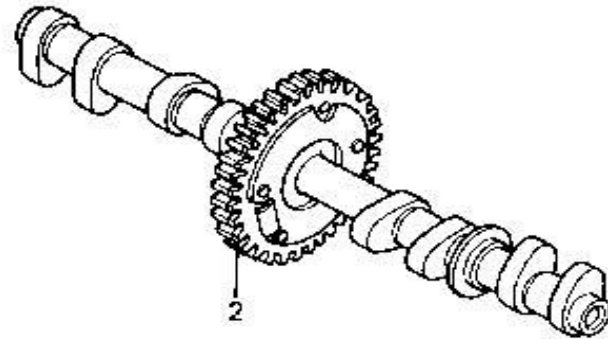
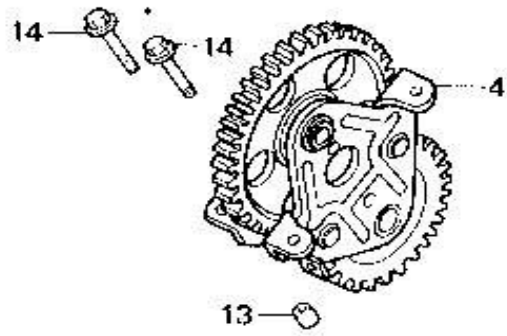
TURN SIGNAL

REF#	PART	#REQ	REF#	PART	#REQ
1	TURN SIGNAL *NH1* 33600-MJ0-405 (replaces 33400-KAF-670)	1	10	TURN SIGNAL ASSY. 33600-MN8-405	1
1	TURN SIGNAL *NH1* 33600-MJ0-405 (replaces 33400-KAF-670ZA)	1	10	TURN SIGNAL ASSY. 33600-MN8-405 (replaces 33610-KAF-670)	1
1	TURN SIGNAL *NH1* 33600-MJ0-405	1	10	TURN SIGNAL ASSY. 33600-MN8-405 (replaces 33610-KAF-670ZA)	1
2	BASE, R. *NH1* 33401-MB6-003	2	11	SOCKET, L. RR. 33655-KAF-670	1
3	SOCKET, R. FR. 33405-MS9-600 (replaces 33405-KAF-670)	1	12	TURN SIGNAL *NH1* 33600-MJ0-405	1
3	SOCKET, R. FR. 33405-MS9-600	1	12	TURN SIGNAL *NH1* 33600-MJ0-405 (replaces 33660-KAF-670)	1
4	LENS, TURN SIGNAL 33406-MB2-671	4	13	STAY, FR. 33691-MJ0-003	4
5	NUT, SPECIAL 33407-MB2-003	4	14	BULB (12V23W32CP) 34905-268-671	4
6	TURN SIGNAL, R. RR. 33600-MF2-405 (replaces 33450-KAF-670)	1	15	SCREW, SPECIAL (6X8) 90380-MB2-000	4
6	TURN SIGNAL, R. RR. 33600-MF2-405 (replaces 33450-KAF-670ZA)	1	16	SCREW-WASHER (4X12) 93891-04012-07 (replaces 93700-04012-0G)	4
6	TURN SIGNAL, R. RR. 33600-MF2-405	1	16	SCREW-WASHER (4X12) 93891-04012-07 (replaces 93700-04012-1G)	4
7	SOCKET, L. FR. 33455-KAF-670	1	16	SCREW-WASHER (4X12) 93891-04012-07	4
8	BASE, L. *NH1* 33601-MB6-003	2	17	NUT, FLANGE (6MM) 94050-06070	4
9	SOCKET, R. RR. 33605-KAF-670	1			

Для внутрияпонцев поворотники в сборе будут:33400-KAF-003 33450-KAF-003 33610-KAF-003 33660-KAF-003

Оптический элемент: 33430-KAF-000

VALVE



FR.

VALVE

REF#	PART	#REQ	REF#	PART	#REQ
1	SEAL, VALVE STEM 12208-KY2-003	16	12	SHIM, TAPPET (1.200) 14901-KT7-013 (replaces 14901-KT7-000)	16
2	CAMSHAFT, IN. 14100-KAF-000	1	12	SHIM, TAPPET (1.200) 14901-KT7-013	16
3	CAMSHAFT, EX. 14200-KAF-000	1	12	SHIM, TAPPET (1.225) 14902-KT7-013 (replaces 14902-KT7-000)	16
3	CAMSHAFT, EX. 14200-KAF-750	1	12	SHIM, TAPPET (1.225) 14902-KT7-013 (replaces 14902-KT7-010)	16
4	GEAR TRAIN 14410-KY2-000	1	12	SHIM, TAPPET (1.225) 14902-KT7-013	16
5	VALVE, IN. 14711-KY2-010 (replaces 14711-KY2-000)	8	12	SHIM, TAPPET (1.250) 14903-KT7-013 (replaces 14903-KT7-000)	16
5	VALVE, IN. 14711-KY2-010	8	12	SHIM, TAPPET (1.250) 14903-KT7-013 (replaces 14903-KT7-010)	16
6	VALVE, EX. 14721-KY2-010 (replaces 14721-KY2-000)	8	12	SHIM, TAPPET (1.250) 14903-KT7-013	16
6	VALVE, EX. 14721-KY2-010	8	12	SHIM, TAPPET (1.275) 14904-KT7-013 (replaces 14904-KT7-000)	16
7	LIFTER, VALVE 14731-KY2-015 (replaces 14731-KY2-013)	16	12	SHIM, TAPPET (1.275) 14904-KT7-013 (replaces 14904-KT7-010)	16
7	LIFTER, VALVE 14731-KY2-015	16	12	SHIM, TAPPET (1.275) 14904-KT7-013	16
8	SPRING, VALVE 14751-KY2-000	16	12	SHIM, TAPPET (1.300) 14905-KT7-000	16
9	RETAINER, VLV SPR 14771-KY2-000	16	12	SHIM, TAPPET (1.300) 14905-KT7-013	16
10	SEAT, VALVE SPRING 14775-KY2-000	16	12	SHIM, TAPPET (1.325) 14906-KT7-013 (replaces 14906-KT7-000)	16
11	COTTER, VALVE 14781-KY2-003	32	12	SHIM, TAPPET (1.325) 14906-KT7-013 (replaces 14906-KT7-010)	16
			12	SHIM, TAPPET (1.325) 14906-KT7-013	16
			12	SHIM, TAPPET (1.350)	16

|14907-KT7-013 (replaces 14907-KT7-000)

12	SHIM, TAPPET (1.350) 14907-KT7-013 (replaces 14907-KT7-010)	16	12	SHIM, TAPPET (1.525) 14914-KT7-013	16
12	SHIM, TAPPET (1.350) 14907-KT7-013	16	12	SHIM, TAPPET (1.550) 14915-KT7-013 (replaces 14915-KT7-000)	16
12	SHIM, TAPPET (1.375) 14908-KT7-013 (replaces 14908-KT7-000)	16	12	SHIM, TAPPET (1.550) 14915-KT7-013	16
12	SHIM, TAPPET (1.375) 14908-KT7-013 (replaces 14908-KT7-010)	16	12	SHIM, TAPPET (1.575) 14916-KT7-013 (replaces 14916-KT7-000)	16
12	SHIM, TAPPET (1.375) 14908-KT7-013	16	12	SHIM, TAPPET (1.575) 14916-KT7-013 (replaces 14916-KT7-010)	16
12	SHIM, TAPPET (1.400) 14909-KT7-013 (replaces 14909-KT7-000)	16	12	SHIM, TAPPET (1.575) 14916-KT7-013	16
12	SHIM, TAPPET (1.400) 14909-KT7-013 (replaces 14909-KT7-010)	16	12	SHIM, TAPPET (1.600) 14917-KT7-000	16
12	SHIM, TAPPET (1.400) 14909-KT7-013	16	12	SHIM, TAPPET (1.625) 14918-KT7-013 (replaces 14918-KT7-000)	16
12	SHIM, TAPPET (1.425) 14910-KT7-000	16	12	SHIM, TAPPET (1.625) 14918-KT7-013 (replaces 14918-KT7-010)	16
12	SHIM, TAPPET (1.425) 14910-KT7-013	16	12	SHIM, TAPPET (1.625) 14918-KT7-013	16
12	SHIM, TAPPET (1.450) 14911-KT7-013 (replaces 14911-KT7-000)	16	12	SHIM, TAPPET (1.650) 14919-KT7-013 (replaces 14919-KT7-000)	16
12	SHIM, TAPPET (1.450) 14911-KT7-013 (replaces 14911-KT7-010)	16	12	SHIM, TAPPET (1.650) 14919-KT7-013	16
12	SHIM, TAPPET (1.450) 14911-KT7-013	16	12	SHIM, TAPPET (1.675) 14920-KT7-000	16
12	SHIM, TAPPET (1.475) 14912-KT7-000	16	12	SHIM, TAPPET (1.675) 14920-KT7-013	16
12	SHIM, TAPPET (1.475) 14912-KT7-013	16	12	SHIM, TAPPET (1.700) 14921-KT7-000	16
12	SHIM, TAPPET (1.500) 14913-KT7-013 (replaces 14913-KT7-000)	16	12	SHIM, TAPPET (1.700) 14921-KT7-013	16
12	SHIM, TAPPET (1.500) 14913-KT7-013	16	12	SHIM, TAPPET (1.725) 14922-KT7-013 (replaces 14922-KT7-000)	16
12	SHIM, TAPPET (1.525)	16	12	SHIM, TAPPET (1.750)	16

|14914-KT7-000

|14923-KT7-000

12	SHIM, TAPPET (1.775) 14924-KT7-000	16	12	SHIM, TAPPET (1.975) 14932-KT7-013	16
12	SHIM, TAPPET (1.800) 14925-KT7-013 (replaces 14925-KT7-000)	16	12	SHIM, TAPPET (2.000) 14933-KT7-000	16
12	SHIM, TAPPET (1.800) 14925-KT7-013	16	12	SHIM, TAPPET (2.000) 14933-KT7-013	16
12	SHIM, TAPPET (1.825) 14926-KT7-013 (replaces 14926-KT7-000)	16	12	SHIM, TAPPET (2.025) 14934-KT7-013 (replaces 14934-KT7-000)	16
12	SHIM, TAPPET (1.850) 14927-KT7-013 (replaces 14927-KT7-000)	16	12	SHIM, TAPPET (2.025) 14934-KT7-013	16
12	SHIM, TAPPET (1.850) 14927-KT7-013 (replaces 14927-KT7-010)	16	12	SHIM, TAPPET (2.050) 14935-KT7-000	16
12	SHIM, TAPPET (1.850) 14927-KT7-013	16	12	SHIM, TAPPET (2.050) 14935-KT7-013	16
12	SHIM, TAPPET (1.875) 14928-KT7-013 (replaces 14928-KT7-000)	16	12	SHIM, TAPPET (2.075) 14936-KT7-000	16
12	SHIM, TAPPET (1.875) 14928-KT7-013 (replaces 14928-KT7-010)	16	12	SHIM, TAPPET (2.075) 14936-KT7-013 (replaces 14936-KT7-010)	16
12	SHIM, TAPPET (1.875) 14928-KT7-013	16	12	SHIM, TAPPET (2.075) 14936-KT7-013	16
12	SHIM, TAPPET (1.900) 14929-KT7-000	16	12	SHIM, TAPPET (2.100) 14937-KT7-013 (replaces 14937-KT7-000)	16
12	SHIM, TAPPET (1.900) 14929-KT7-013	16	12	SHIM, TAPPET (2.100) 14937-KT7-013	16
12	SHIM, TAPPET (1.925) 14930-KT7-013 (replaces 14930-KT7-000)	16	12	SHIM, TAPPET (2.125) 14938-KT7-013 (replaces 14938-KT7-000)	16
12	SHIM, TAPPET (1.925) 14930-KT7-013 (replaces 14930-KT7-010)	16	12	SHIM, TAPPET (2.125) 14938-KT7-013 (replaces 14938-KT7-010)	16
12	SHIM, TAPPET (1.925) 14930-KT7-013	16	12	SHIM, TAPPET (2.125) 14938-KT7-013	16
12	SHIM, TAPPET (1.950) 14931-KT7-013 (replaces 14931-KT7-000)	16	12	SHIM, TAPPET (2.150) 14939-KT7-013 (replaces 14939-KT7-000)	16
12	SHIM, TAPPET (1.950) 14931-KT7-013	16	12	SHIM, TAPPET (2.150) 14939-KT7-013	16
12	SHIM, TAPPET (1.975)	16	12	SHIM, TAPPET (2.175)	16

|14932-KT7-000

|14940-KT7-013 (replaces 14940-KT7-000)

12	SHIM, TAPPET (2.175) 14940-KT7-013	16	12	SHIM, TAPPET (2.350) 14947-KT7-013 (replaces 14947-KT7-010)	16
12	SHIM, TAPPET (2.200) 14941-KT7-013 (replaces 14941-KT7-000)	16	12	SHIM, TAPPET (2.350) 14947-KT7-013	16
12	SHIM, TAPPET (2.200) 14941-KT7-013 (replaces 14941-KT7-010)	16	12	SHIM, TAPPET (2.375) 14948-KT7-000	16
12	SHIM, TAPPET (2.200) 14941-KT7-013	16	12	SHIM, TAPPET (2.375) 14948-KT7-013	16
12	SHIM, TAPPET (2.225) 14942-KT7-013 (replaces 14942-KT7-000)	16	12	SHIM, TAPPET (2.400) 14949-KT7-013 (replaces 14949-KT7-000)	16
12	SHIM, TAPPET (2.225) 14942-KT7-013 (replaces 14942-KT7-010)	16	12	SHIM, TAPPET (2.400) 14949-KT7-013 (replaces 14949-KT7-010)	16
12	SHIM, TAPPET (2.225) 14942-KT7-013	16	12	SHIM, TAPPET (2.400) 14949-KT7-013	16
12	SHIM, TAPPET (2.250) 14943-KT7-000	16	12	SHIM, TAPPET (2.425) 14950-KT7-013 (replaces 14950-KT7-000)	16
12	SHIM, TAPPET (2.250) 14943-KT7-013	16	12	SHIM, TAPPET (2.425) 14950-KT7-013 (replaces 14950-KT7-010)	16
12	SHIM, TAPPET (2.275) 14944-KT7-013 (replaces 14944-KT7-000)	16	12	SHIM, TAPPET (2.425) 14950-KT7-013	16
12	SHIM, TAPPET (2.275) 14944-KT7-013	16	12	SHIM, TAPPET (2.450) 14951-KT7-013 (replaces 14951-KT7-000)	16
12	SHIM, TAPPET (2.300) 14945-KT7-013 (replaces 14945-KT7-000)	16	12	SHIM, TAPPET (2.450) 14951-KT7-013	16
12	SHIM, TAPPET (2.300) 14945-KT7-013 (replaces 14945-KT7-010)	16	12	SHIM, TAPPET (2.475) 14952-KT7-000	16
12	SHIM, TAPPET (2.300) 14945-KT7-013	16	12	SHIM, TAPPET (2.475) 14952-KT7-013	16
12	SHIM, TAPPET (2.325) 14946-KT7-013 (replaces 14946-KT7-000)	16	12	SHIM, TAPPET (2.500) 14953-KT7-013 (replaces 14953-KT7-000)	16
12	SHIM, TAPPET (2.325) 14946-KT7-013 (replaces 14946-KT7-010)	16	12	SHIM, TAPPET (2.500) 14953-KT7-013	16
12	SHIM, TAPPET (2.325) 14946-KT7-013	16	12	SHIM, TAPPET (2.525) 14954-KT7-013 (replaces 14954-KT7-000)	16
12	SHIM, TAPPET (2.350)	16	12	SHIM, TAPPET (2.525)	16

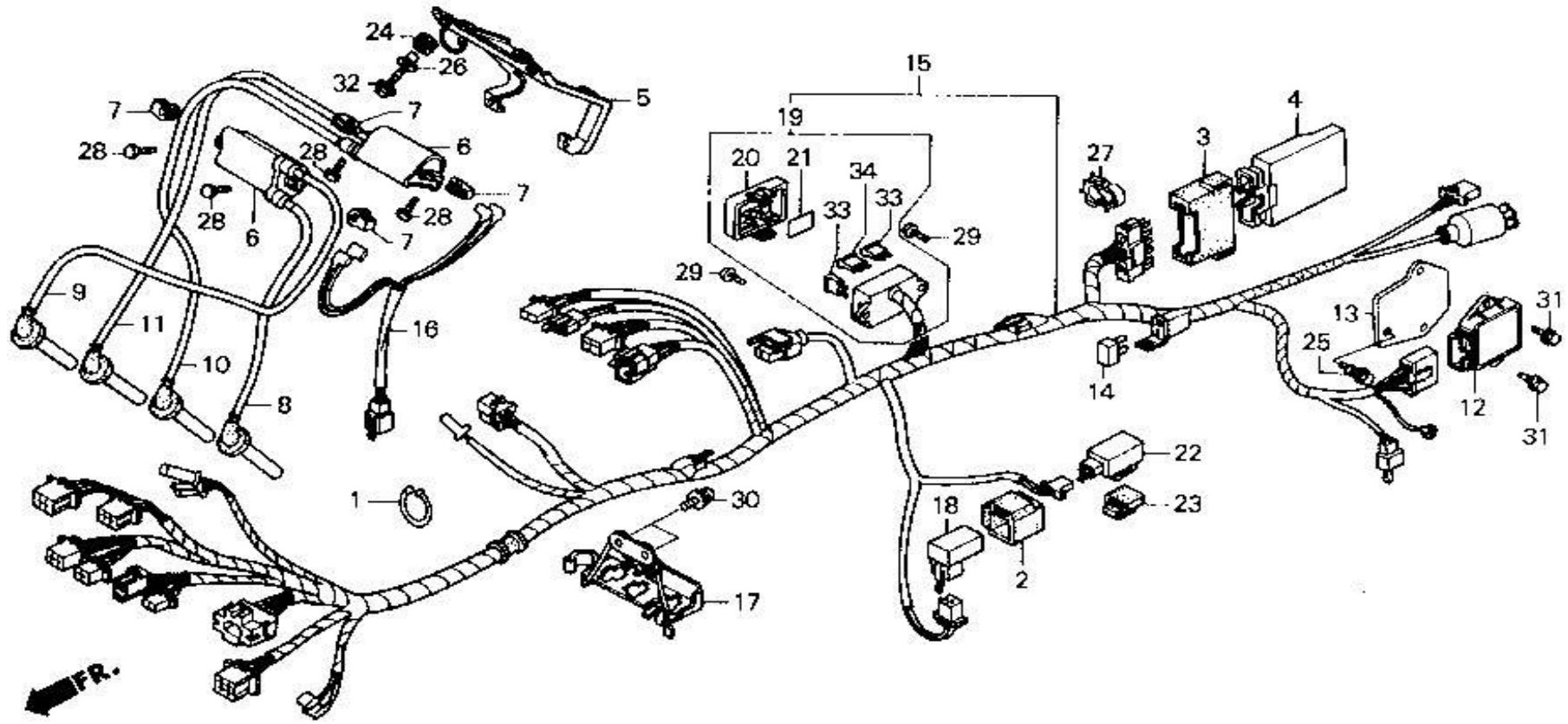
|14947-KT7-013 (replaces 14947-KT7-000)

||14954-KT7-013 (replaces 14954-KT7-010)

12	SHIM, TAPPET (2.525) 14954-KT7-013	16	12	SHIM, TAPPET (2.725) 14962-KT7-013	16
12	SHIM, TAPPET (2.550) 14955-KT7-013 (replaces 14955-KT7-000)	16	12	SHIM, TAPPET (2.750) 14963-KT7-000	16
12	SHIM, TAPPET (2.550) 14955-KT7-013 (replaces 14955-KT7-010)	16	12	SHIM, TAPPET (2.750) 14963-KT7-013	16
12	SHIM, TAPPET (2.550) 14955-KT7-013	16	12	SHIM, TAPPET (2.775) 14964-KT7-013 (replaces 14964-KT7-000)	16
12	SHIM, TAPPET (2.575) 14956-KT7-000	16	12	SHIM, TAPPET (2.775) 14964-KT7-013 (replaces 14964-KT7-010)	16
12	SHIM, TAPPET (2.575) 14956-KT7-013	16	12	SHIM, TAPPET (2.775) 14964-KT7-013	16
12	SHIM, TAPPET (2.600) 14957-KT7-000	16	12	SHIM, TAPPET (2.800) 14965-KT7-013 (replaces 14965-KT7-000)	16
12	SHIM, TAPPET (2.600) 14957-KT7-013	16	12	SHIM, TAPPET (2.800) 14965-KT7-013 (replaces 14965-KT7-010)	16
12	SHIM, TAPPET (2.625) 14958-KT7-000	16	12	SHIM, TAPPET (2.800) 14965-KT7-013	16
12	SHIM, TAPPET (2.625) 14958-KT7-013	16	13	PIN, DOWEL (8X14) 94301-08140	2
12	SHIM, TAPPET (2.650) 14959-KT7-013 (replaces 14959-KT7-000)	16	14	BOLT, FLANGE (6X28) 95701-06028-00	4
12	SHIM, TAPPET (2.650) 14959-KT7-013 (replaces 14959-KT7-010)	16			
12	SHIM, TAPPET (2.650) 14959-KT7-013	16			
12	SHIM, TAPPET (2.675) 14960-KT7-013 (replaces 14960-KT7-000)	16			
12	SHIM, TAPPET (2.675) 14960-KT7-013	16			
12	SHIM, TAPPET (2.700) 14961-KT7-000	16			
12	SHIM, TAPPET (2.700) 14961-KT7-013	16			
12	SHIM, TAPPET (2.725)	16			

14962-KT7-013 (replaces 14962-KT7-000)

WIRE HARNESS



WIRE HARNESS

REF#	PART	#REQ	REF#	PART	#REQ
1	CLIP, TUBE (26) 17916-PE1-671	1	11	CORD COMP.H/T 30750-KAF-P00	1
2	RUBBER 30401-GA7-000	1	11	CORD COMP.H/T 30750-KAF-P00 (replaces 30754-KAF-000)	1
3	RUBBER, SPARK UNIT 30405-MT6-000	1	11	CORD COMP.H/T 30750-KAF-P00 (replaces 30754-KAF-010)	1
4	MODULE, IGN CONT 30410-KAF-672 (replaces 30410-KAF-671)	1	12	RECTIFIER, REGULATE 31600-MV4-010 (replaces 31600-KY2-702)	1
4	MODULE, IGN CONT 30410-KAF-672	1	12	RECTIFIER, REGULATE 31600-MV4-010 (replaces 31600-KY2-703)	1
5	STAY, IGNITION COIL 30507-KAF-000	1	12	RECTIFIER, REGULATE 31600-MV4-010 (replaces 31600-MV4-000)	1
6	COIL, IGNITION 30510-KT7-023 (replaces 30510-KT7-013)	2	12	RECTIFIER, REGULATE 31600-MV4-010	1
6	COIL, IGNITION 30510-KT7-023	2	13	SPACER 31605-KAF-000	1
7	SPACER 30520-ML7-000	4	14	RECTIFIER, SILICON 31700-124-003	1
8	CAP, IGNITION (1-1) 30751-KAF-010 (replaces 30751-KAF-000)	1	14	RECTIFIER, SILICON 31700-124-003 (replaces 31700-124-008)	1
8	CAP, IGNITION (1-1) 30751-KAF-010	1	15	WIRE HARNESS 32100-KAF-670	1
9	CAP, IGNITION (2-4) 30752-KAF-010 (replaces 30752-KAF-000)	1	16	SUB-WIRE, IGNITION 32120-KAF-000	1
9	CAP, IGNITION (2-4) 30752-KAF-010	1	17	STAY, CONNECTOR 32700-KAF-000	1
10	CORD COMP.H/T 30750-KAF-P00	1	18	RELAY, FUEL CUT 36100-MM5-008	1
10	CORD COMP.H/T 30750-KAF-P00 (replaces 30753-KAF-000)	1	19	BOX ASSY., FUSE 38200-KAF-005	1
10	CORD COMP.H/T 30750-KAF-P00 (replaces 30753-KAF-010)	1	20	COVER, FUSE BOX 38210-KR0-005	1
			21	LABEL, FUSE	1

			38215-KY6-003		
REF#	PART	#REQ	REF#	PART	#REQ
22	RELAY, TURN SIGNAL 38301-KK9-952	1	29	SCREW, PAN (4X14) 93500-04014-0G	2
23	SUSPENSION 38306-GE7-000	1	29	SCREW, PAN (4X14) 93500-04014-1G	2
24	RUBBER 61329-MJ6-000	2	30	SCREW-WASHER (6X16) 93891-06016-07	2
25	BOLT 90107-449-000	1	31	BOLT, FLANGE (6X14) 95701-06014-00	2
26	COLLAR 90501-MJ6-000	2	32	BOLT, FLANGE (6X22) 95701-06022-07	2
27	CLIP, CABLE (20MM) 90690-GHB-661 (replaces 90690-GHB-611)	1	33	FUSE, BLADE (10A) 98200-31000	5
27	CLIP, CABLE (20MM) 90690-GHB-661	1	34	FUSE, BLADE (30A) 98200-33000	2
28	BOLT, HEX. (6X20) 92101-06020-4J (replaces 92000-06020-4J)	4			
28	BOLT, HEX. (6X20) 92101-06020-4J	4			