

Prior to fitting, lubricate seals and o-rings with just enough silicon (grease or spray) to give a glossy finish.

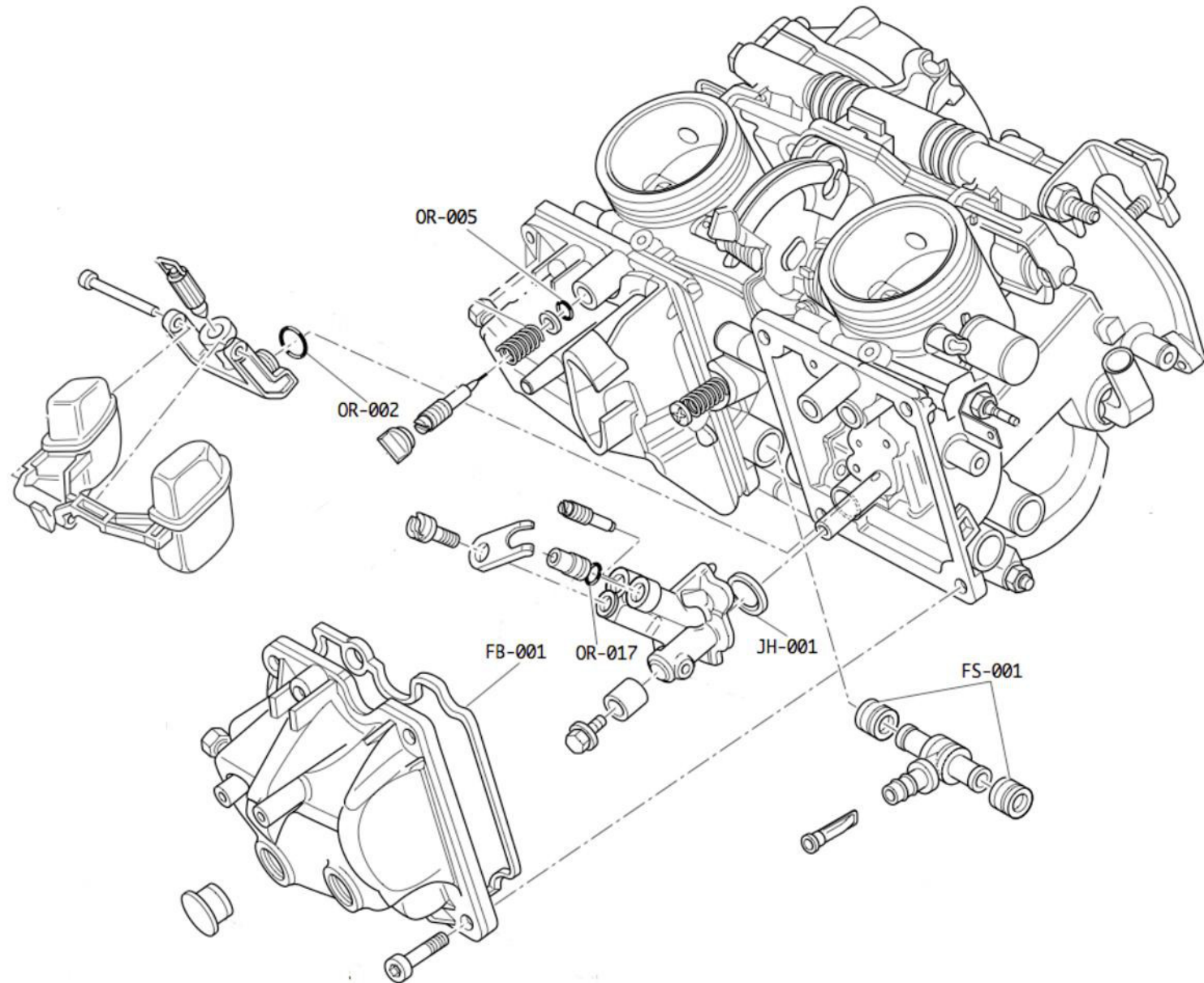


TAVOLA
DRAWING
TABLE
BILD
TABLA

19

CARBURETOR

