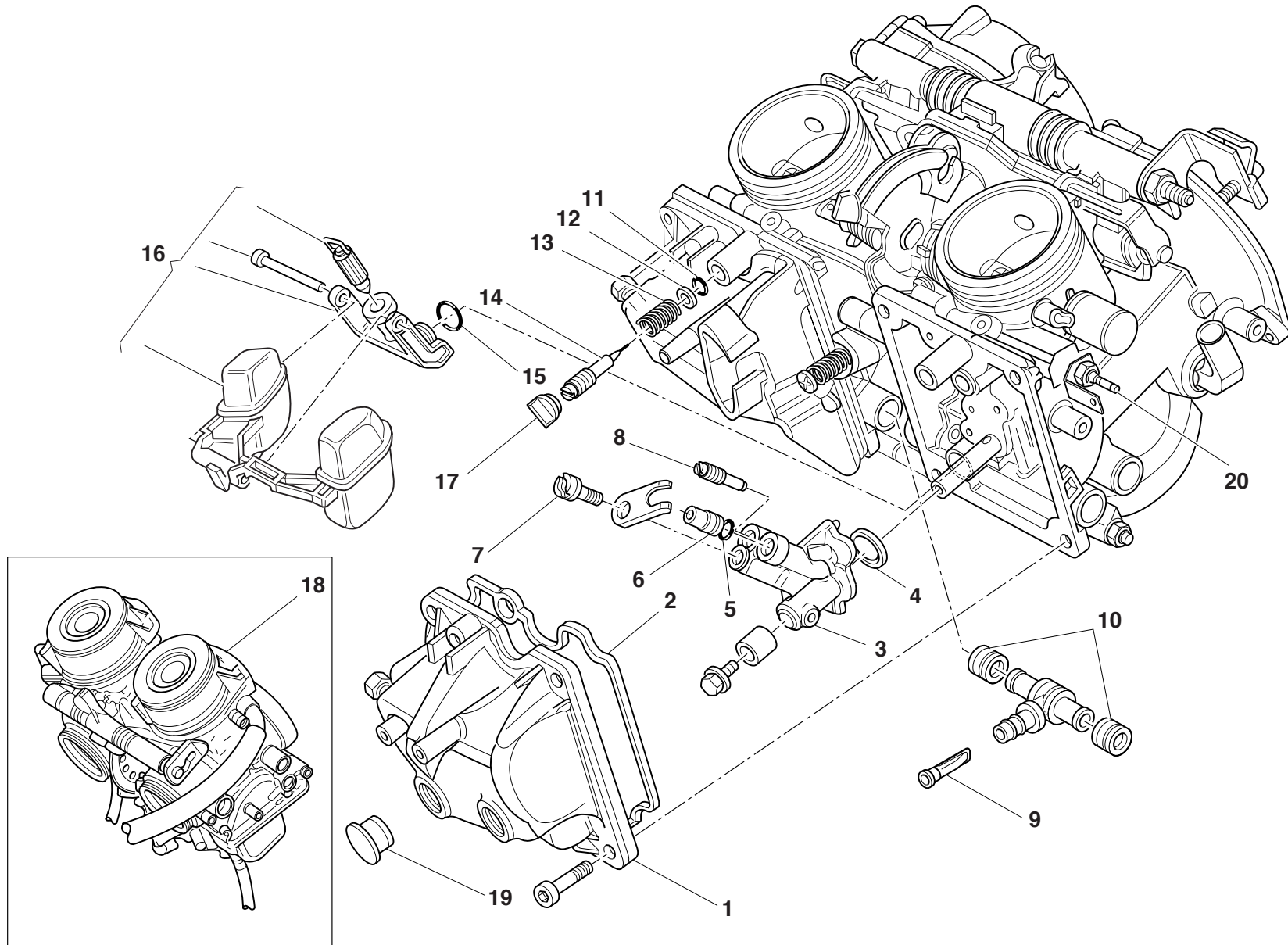



TAVOLA
DRAWING
TABLE
BILD
TABLA

18

CARBURETOR




DRAWING **18** CARBURETOR

NOTES	NO.	CODE NO.	DESCRIPTION	VALIDITY	Q.TY 
	1	134.4.009.1B	Chamber		2
	2	134.4.003.1A	Gasket		2
	3	134.4.010.1A	Holder		2
	4	134.4.011.1A	O-Ring		2
	5	134.4.012.1A	Gasket		2
	6	132.4.002.1F	Main jet 132.5		2
	7	132.4.006.1A	Starter jet 70		2
	8	132.4.003.1D	Idling jet 40		2
	9	134.4.013.1A	Filter		2
	10	134.4.014.1A	Gasket		4
	11	134.4.015.1A	O-ring		2
	12	134.4.016.1A	Washer		2
	13	134.4.017.1A	Spring		2
	14	134.4.018.1A	Adjusting screw		2
	15	134.4.019.1A	O-ring		2
	16	134.2.020.1A	Float		2
	17	872.4.011.1A	Cap		2
	18	131.4.032.1A	Carburetor		1
	19	872.4.012.1A	Cap		4
	20	134.4.032.1A	Heater		1

NOTES	NO.	CODE NO.	DESCRIPTION	VALIDITY	Q.TY 
-------	-----	----------	-------------	----------	--

DRAWING **19** CARBURETOR

NOTES	NO.	CODE NO.	DESCRIPTION	VALIDITY	Q.TY 
	1	134.4.002.1A	Spring		2
	2	134.4.004.1A	Ring		2
	3	134.4.005.1A	O-ring		2
	4	132.4.005.1M	Taper needle		2
	5	134.4.006.1A	Ring		2
	6	134.4.007.1A	Washer		2
	7	134.4.001.1A	Diaphragm assembly		2
	8	132.4.004.1A	Needle valve		2
	9	134.4.008.1A	Gasket		2
	10	134.4.024.1A	Air jet		2
	11	132.4.007.1A	Jet		2
	12	134.4.025.1A	O-ring		4
	13	134.4.026.1A	Diaphragm assembly		2
	14	134.4.027.1A	Spring		2
	15	134.4.028.1A	Cover		2

NOTES	NO.	CODE NO.	DESCRIPTION	VALIDITY	Q.TY 
-------	-----	----------	-------------	----------	--