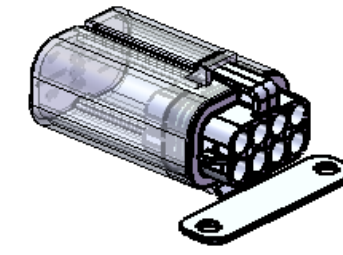
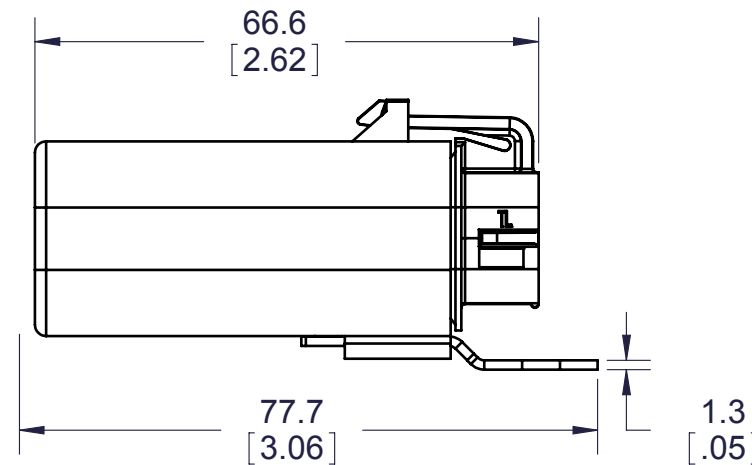
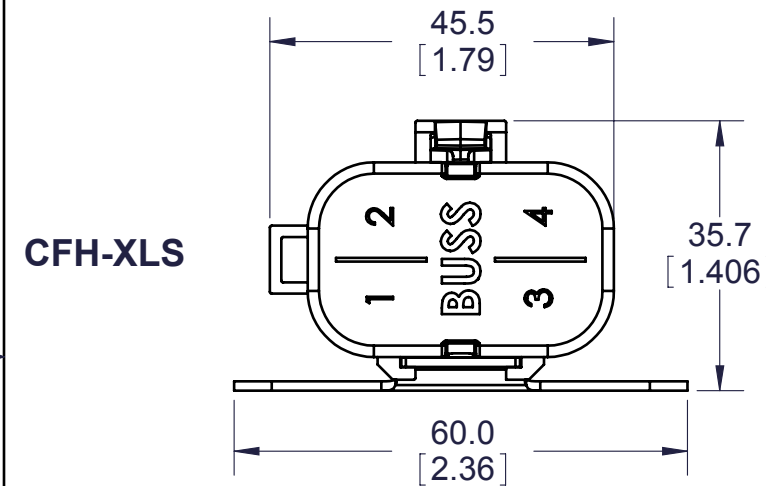
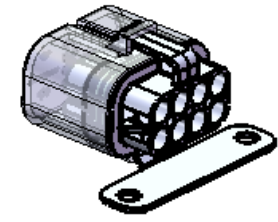
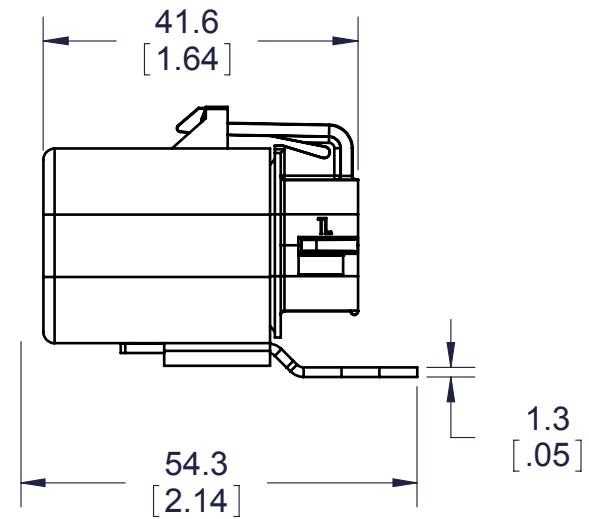
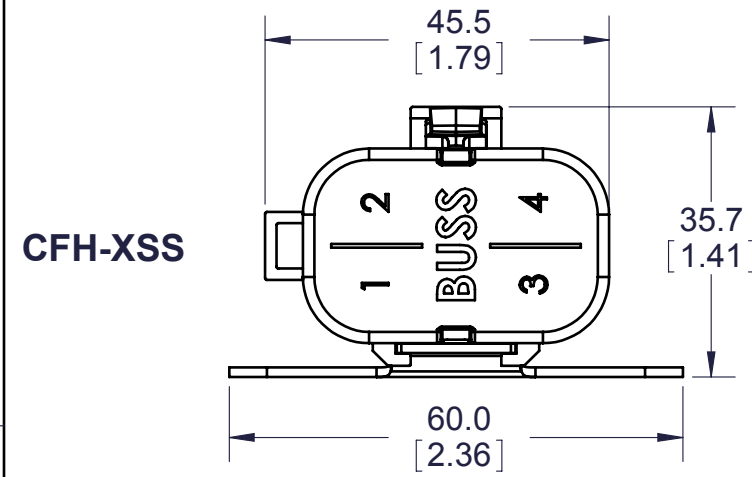


CONFIDENTIAL -
 The information contained in this document is the property of Cooper Industries, Inc. It is not for public disclosure. Possession of the information does not convey any right to loan, sell, or disclose the information. Unauthorized reproduction or use of the information is prohibited. This document is to be returned to Cooper Industries, Inc. upon completion of the purpose for which it is loaned or upon request.

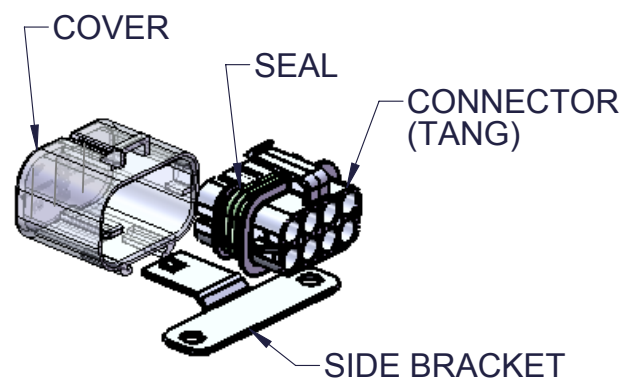
COPYRIGHT Cooper Industries, Inc.
 This is an unpublished work. The disclosure of this work is limited to a select personnel. Further dissemination or disclosure to the public is PROHIBITED. This unpublished work is protected by Federal Copyright Law and all rights thereunder are reserved by Cooper Industries, Inc.

REVISION			
REV	DESCRIPTION	DATE	BY
X1	INITIAL RELEASED	01-06 2011	CTH
0	RELEASED TO PRODUCTION ECN: BU-U11016 CTH	02-09 2011	
1	ADDED END BRACKET & PIN MOUNT OPTIONS, ADDED BRACKET VIEW FOR MOUNTING PURPOSE ECN: BU-U11150 CTH	04-06 2011	
2	REVISE PART NUMBERS TO MATCH PART DUE TO TYPO: CFH-XSS WAS CFH-XSE (8C) & CFH-XLS WAS CFH-XLE (8D) ECN: BU-U11337 CTH	08-26 2011	

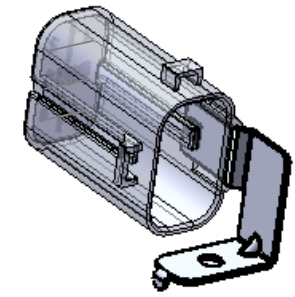


CFH - X X X

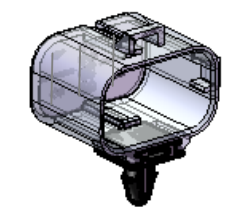
- S - SIDE BRACKET
- E - END BRACKET
- P - PIN MOUNT
- L - 4 PIN RELAY/MINI BREAKER COVER
- S - ATM FUSE COVER
- A - BLACK (CONNECTOR COLOR)
- B - GRAY
- C - GREEN
- D - BLUE
- E - YELLOW
- F - RED
- G - ORANGE
- H - BROWN



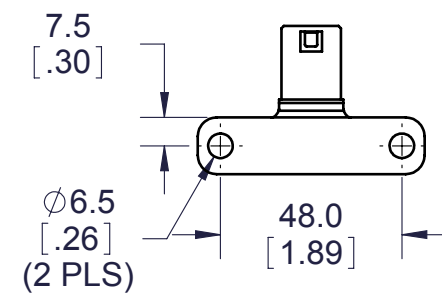
**CFH-XSS
EXPLODED
VIEW SHOWN**



**CFH-XLE
SHOWN**



**CFH-XSP
SHOWN**



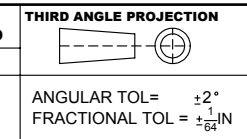
**FOR MOUNTING PURPOSE
SIDE BRACKET**

SPECIFICATIONS:

1. CURRENT RATING:
 1. 4 PIN RELAY - 50A MAX
 2. MINI BREAKER - 60A MAX
 3. ATM FUSE - 120A MAX
2. OPERATING TEMP: -40°C TO 125°C
3. MATERIAL:
 4. BRACKET - ZINC PLATED STEEL W/CHROMATE FINISH
 5. COVER - TRANSLUCENT POLYCARBONATE, UL94-V0
 6. CONNECTOR - THERMOPLASTIC UL94-V0
 7. SEAL - SILICONE UL94-V0
4. INGRESS PROTECTION RATING: IP66 RATING



TOLERANCES UNLESS OTHERWISE SPECIFIED	
METRIC (mm)	ENGLISH (in)
1 PL DEC.= .25±	2 PL DEC.= .01±
2 PL DEC.= .13±	3 PL DEC.= .005±



○ CAPSULE AROUND DIMENSION INDICATES INCOMING INSPECTION REQUIRED
 △ INDICATES CRITICAL CHARACTERISTIC (MUST MEET CPK REQUIREMENTS)

Plant Code: U, N
Design Units
 Metric [English]

For change history please consult the Bussmann Engineering Change Notice number listed below.
 BU-U11337

TITLE
 VEC CONNECTOR FUSE HOLDER ASSY
 SHEET 1 OF 1
 SCALE 1:1
 REVISION VERSION 2

DATE 01/06/2011
 DRAWN BY C. HA
PART NO. CFH-XXX-SALES
 Ref. Name: BXXX